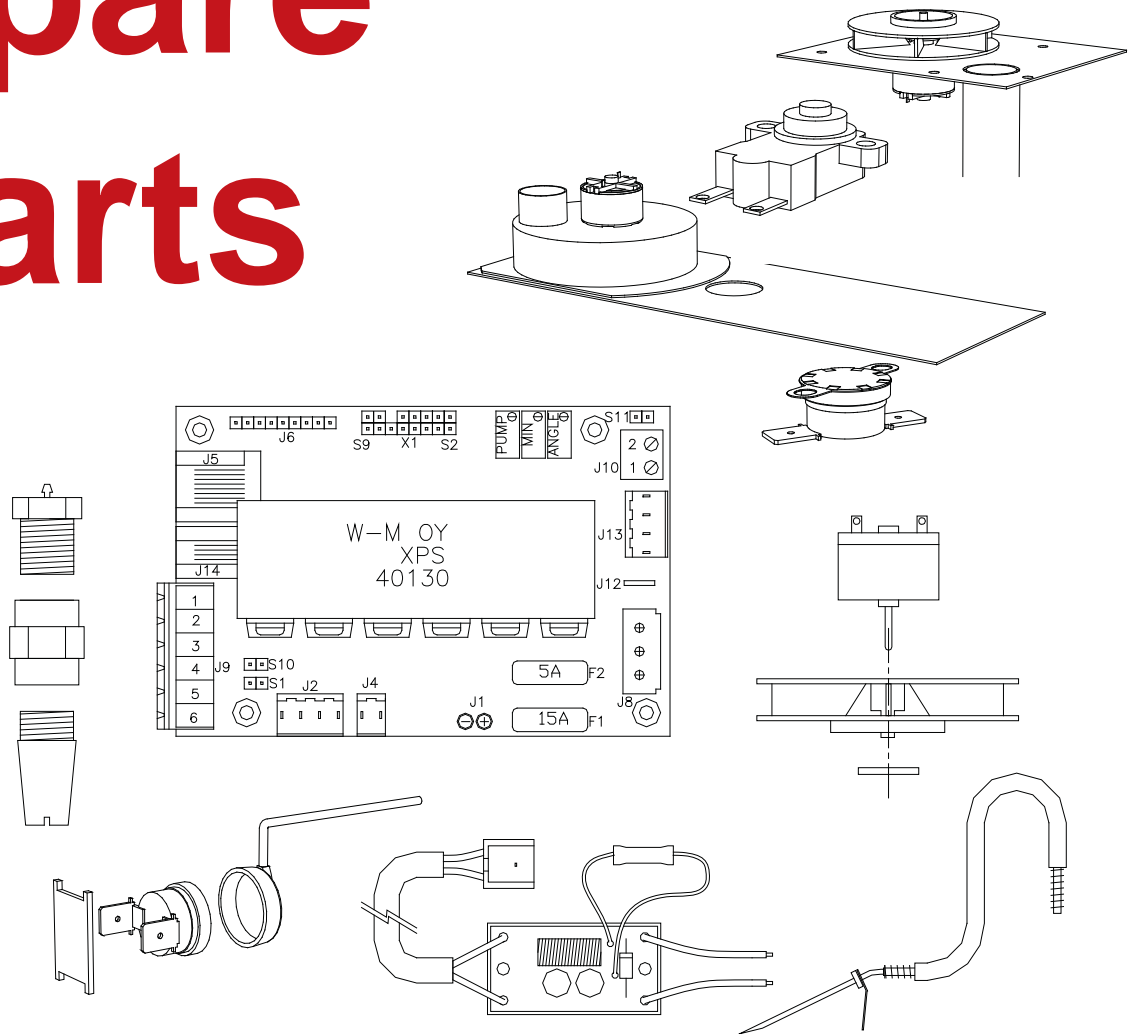


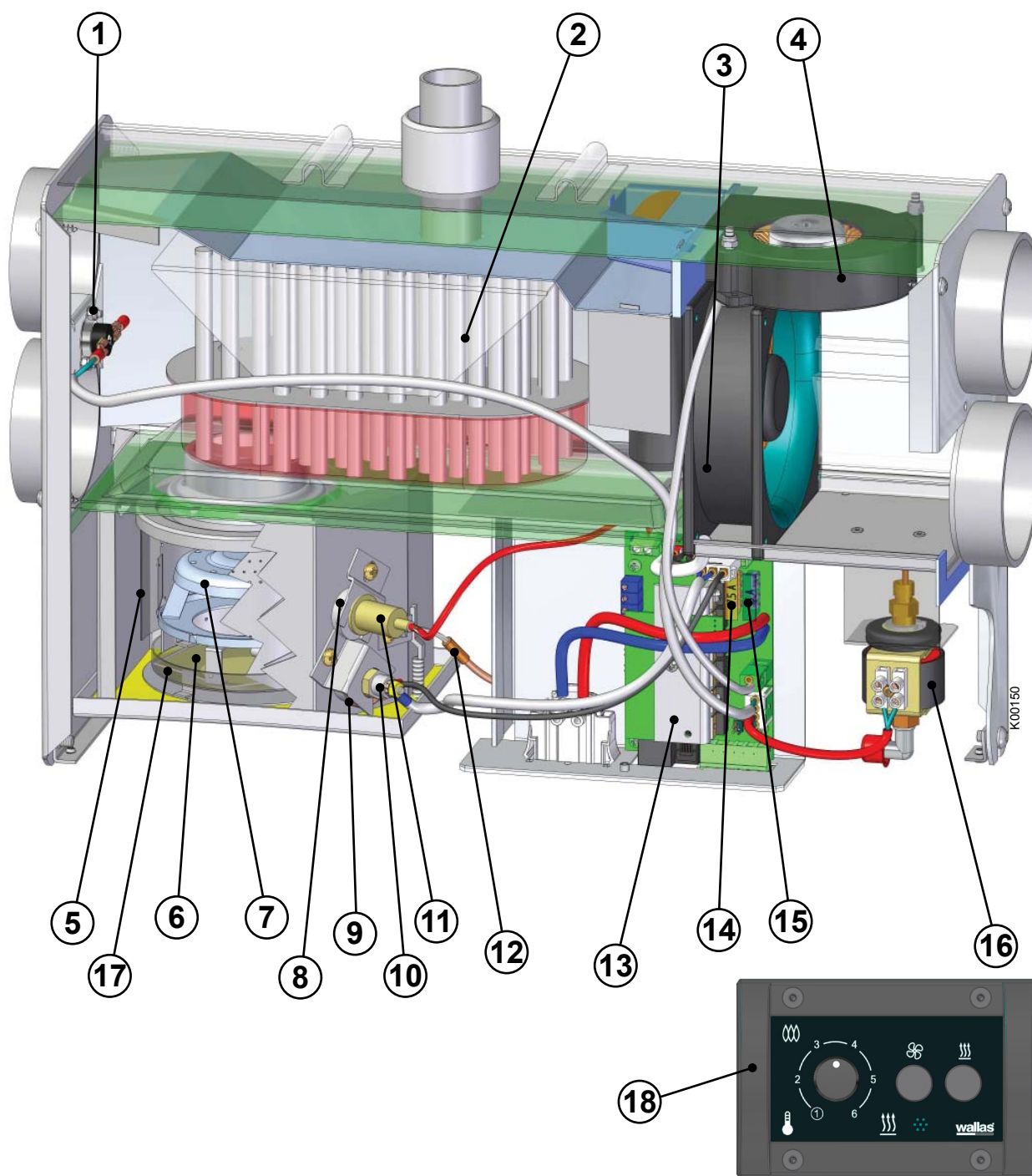
Spare parts



en

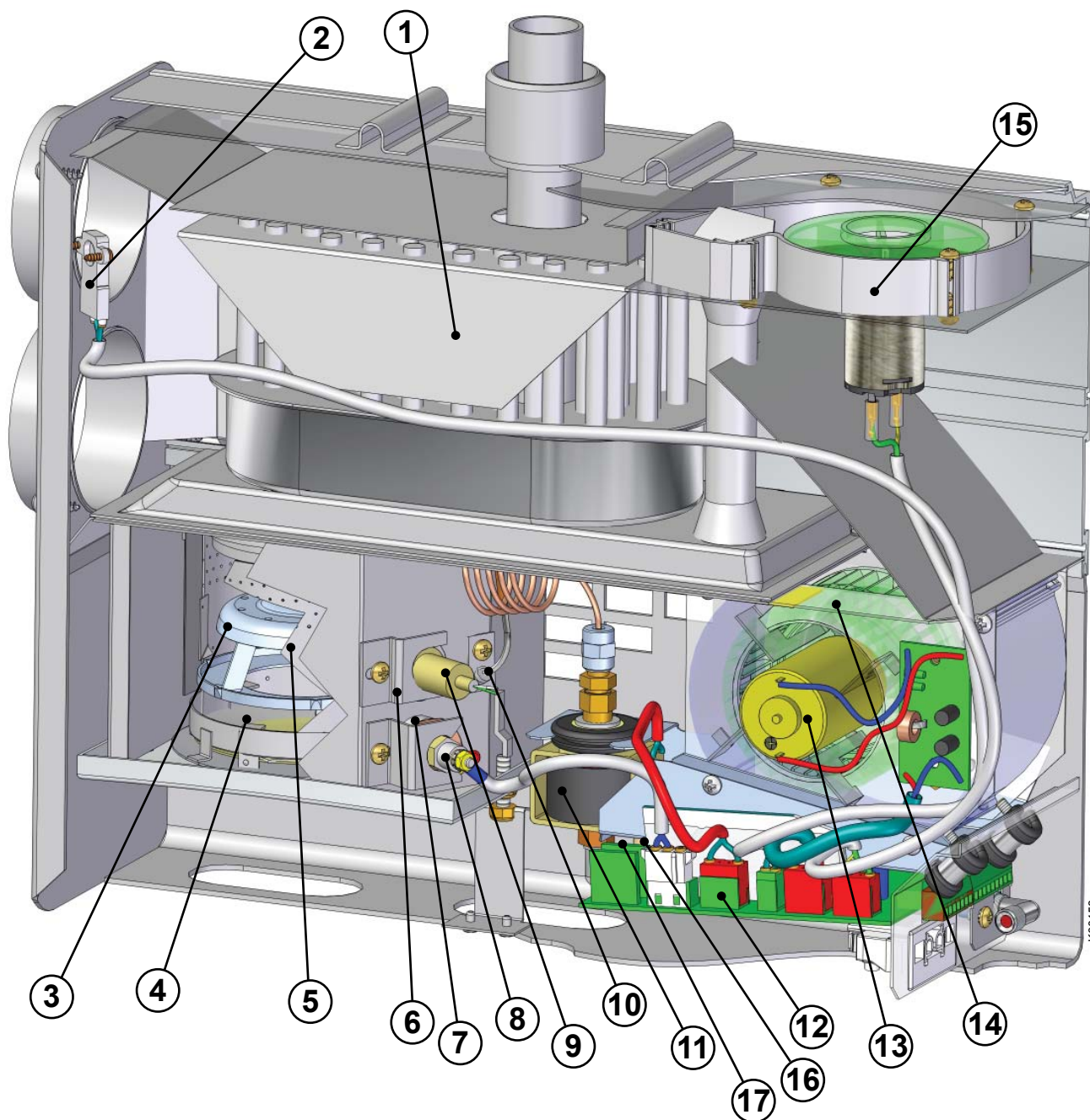
Spare parts list

1	Contents
2	22 Dt
3	30D
4	30 Dt
5	40D
6	40 Dt
7	85D
8	88DU
9	90
10	90 t
11	100x
12	800
13	800 t
14	900
15	1000
16	1300
17	1600
18	1800
19	1800 t
20	2400
21	2400 t
22	3000D
23	3000DX
24	3200
25	X-burner Spare parts
26	Installation instructions, bottom matt



	spare part no
① OVERHEAT THERMOSTAT	362416
③ MAIN BLOWER	365412
⑤ OUTER CYLINDER FOR BURNER	369011
⑦ RADIATION ELEMENT	369007
⑨ GASKET FOR GLOW PLUG	364110
⑪ THERMO ELEMENT	362601
⑬ CONTROL UNIT	361063
⑮ FUSE 15 A	362110
⑰ BURNER CYLINDER, COMPLETE	369024

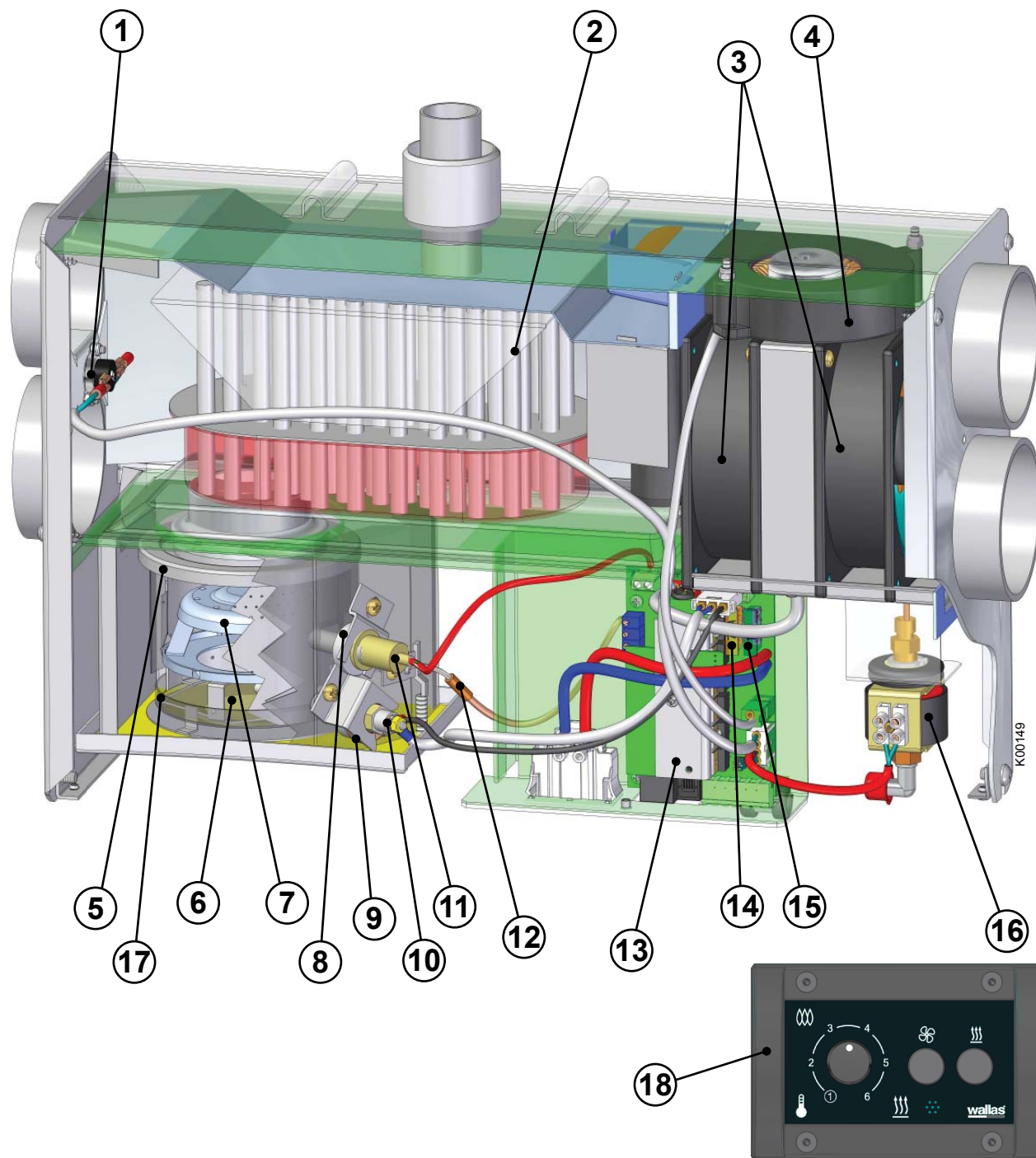
	spare part no
② HEAT EXCHANGER	368608
④ COMBUSTION BLOWER	365316
⑥ BOTTOM MAT, Ø 85 MM	364037
⑧ GASKET FOR T4 THERMO ELEMENT	364015
⑩ GLOW PLUG	362502
⑫ FUEL PIPE	367306
⑭ FUSE 5 A	362108
⑯ FUEL PUMP, FC 7	367506
⑱ CONTROL PANEL WITH CABLE Dt-HEATERS	361062



K00188

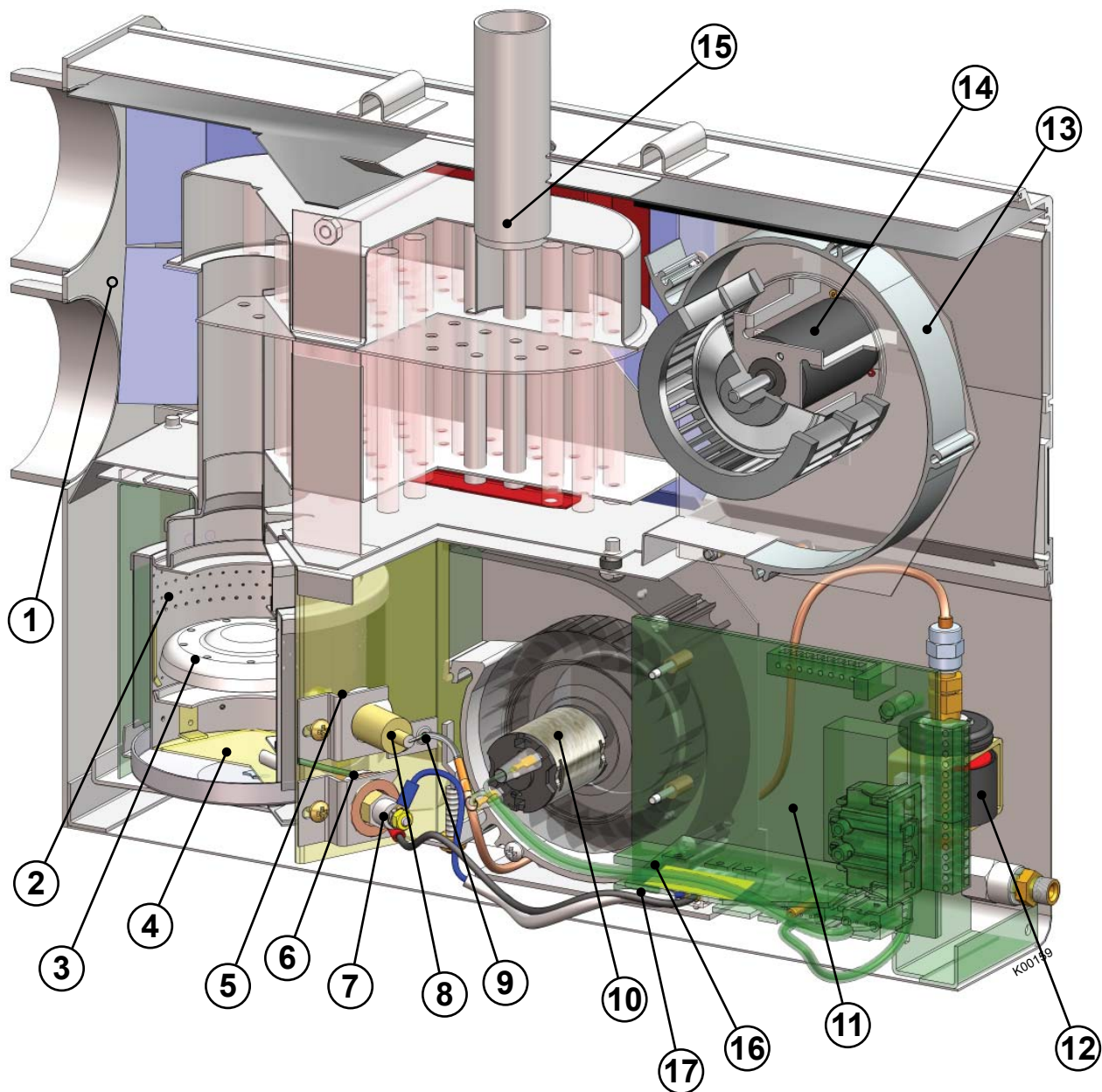
	spare part no
①	HEAT EXCHANGER 368509
③	RADIATION ELEMENT 369007
⑤	BURNER CYLINDER, COMPLETE 369008
⑦	GASKET FOR GLOW PLUG 364110
⑨	THERMO ELEMENT 362601
⑪	FUEL PUMP, FC 1 367501
⑬	MOTOR, AXLE 3,2 MM 365107
⑮	MOTOR/ROTOR/PLATE 365307
⑰	FUSE 4 A 362107

	spare part no
②	OVERHEAT THERMOSTAT 363048
④	BOTTOM MAT, Ø 85 MM 364023
⑥	GASKET FOR T4 THERMO ELEMENT 364015
⑧	GLOW PLUG 362502
⑩	FUEL PIPE 367306
⑫	CONTROL UNIT 361026 (SN 90631 → 24633) 361047 (SN 24637 →)
⑭	MAIN BLOWER 365406
⑯	FUSE 15 A 362110
○	



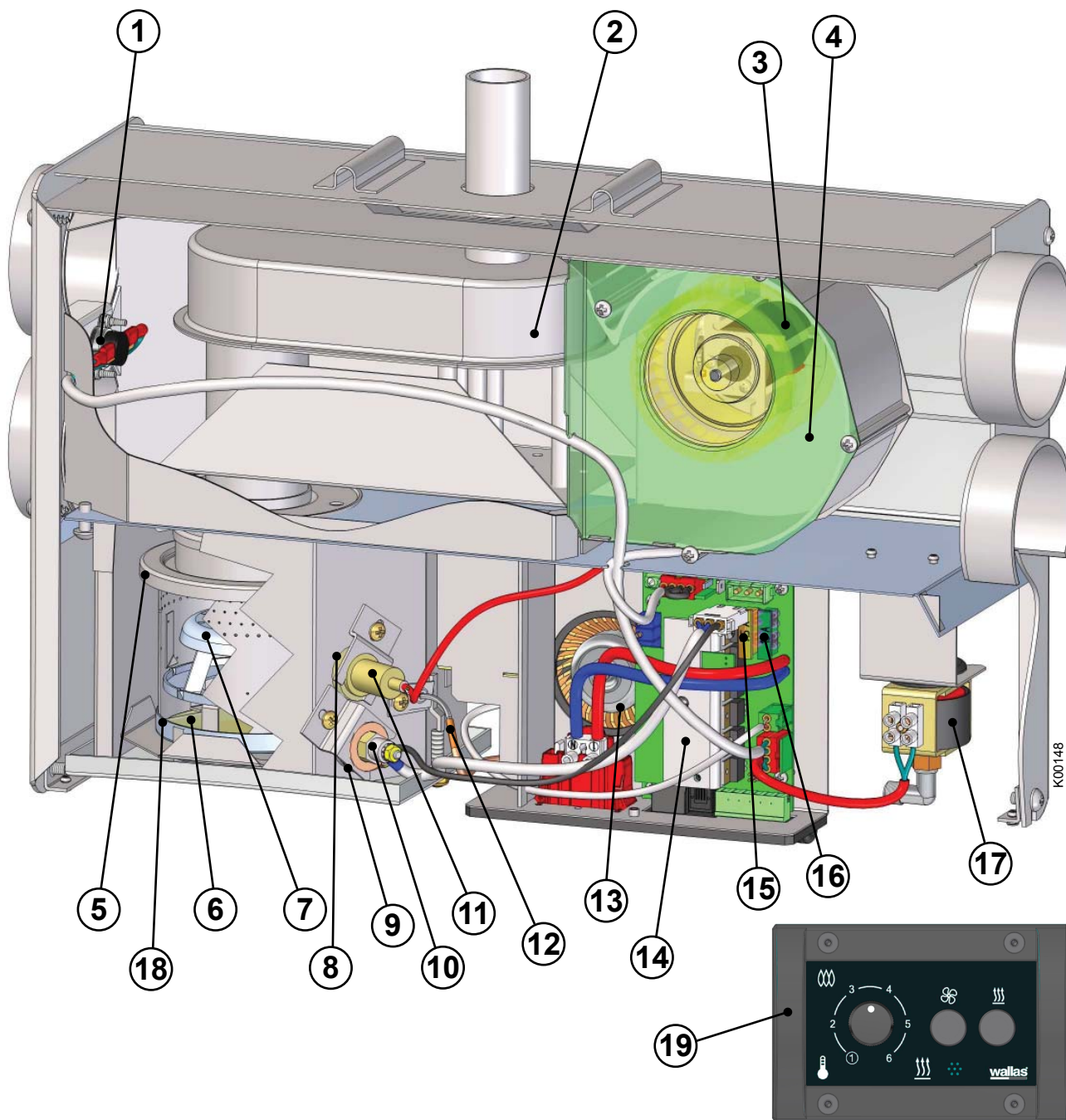
	spare part no
① OVERHEAT THERMOSTAT	362416
③ MAIN BLOWER, COMPLETE	365410
⑤ OUTER CYLINDER FOR BURNER	369011
⑦ RADIATION ELEMENT	369007
⑨ GASKET FOR GLOW PLUG	364110
⑪ THERMO ELEMENT	362601
⑬ CONTROL UNIT	361068
⑮ FUSE 15 A	362110
⑰ BURNER CYLINDER, COMPLETE	369024

	spare part no
② HEAT EXCHANGER	368608
④ COMBUSTION BLOWER	365315
⑥ BOTTOM MAT, Ø 85 MM	364037
⑧ GASKET FOR T4 THERMO ELEMENT	364015
⑩ GLOW PLUG	362502
⑫ FUEL PIPE	367306
⑭ FUSE 5 A, SLOW	362113
⑯ FUEL PUMP, FC 7	367506
⑱ CONTROL PANEL WITH CABLE DI-HEATERS	361062



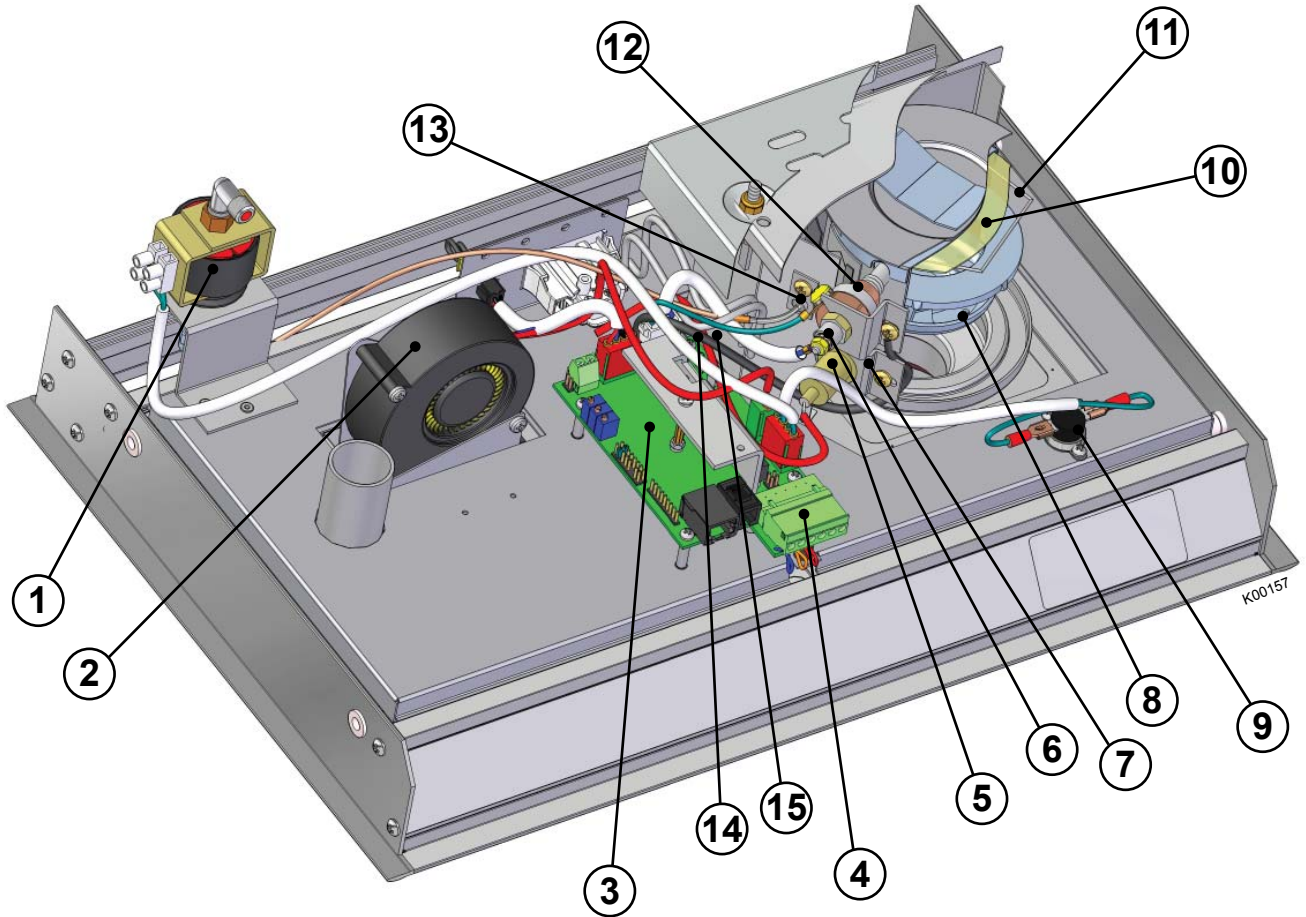
	spare part no
① OVERHEAT THERMOSTAT	362406
③ RADIATION ELEMENT	369007
⑤ GASKET FOR T4 THERMO ELEMENT	364015
⑦ GLOW PLUG	362502
⑨ FUEL PIPE	367306
⑪ CONTROL UNIT	(SN → 3137) 361028 (SN 3138 →) 361045
⑬ COMPLETE MAIN BLOWER 40D	(SN → 3137) 365407 (SN 3138 →) 365408
⑮ HEAT EXCHANGER 40D	368506
⑰ FUSE 5 A	(SN → 3137) 362108
FUSE 7,5 A	(SN 3138 →) 362112

	spare part no
② BURNER CYLINDER, COMPLETE	369025
④ BOTTOM MAT, Ø 85 MM	364023
⑥ GASKET FOR GLOW PLUG	364110
⑧ THERMO ELEMENT	362601
⑩ MOTOR, AXLE 2,5 MM	365108
⑫ FUEL PUMP, FC 5	367505
⑭ MAIN BLOWER MOTOR	(SN → 3137) 365106 (SN 3138 →) 365111
⑯ FUSE 15 A	362110
○	



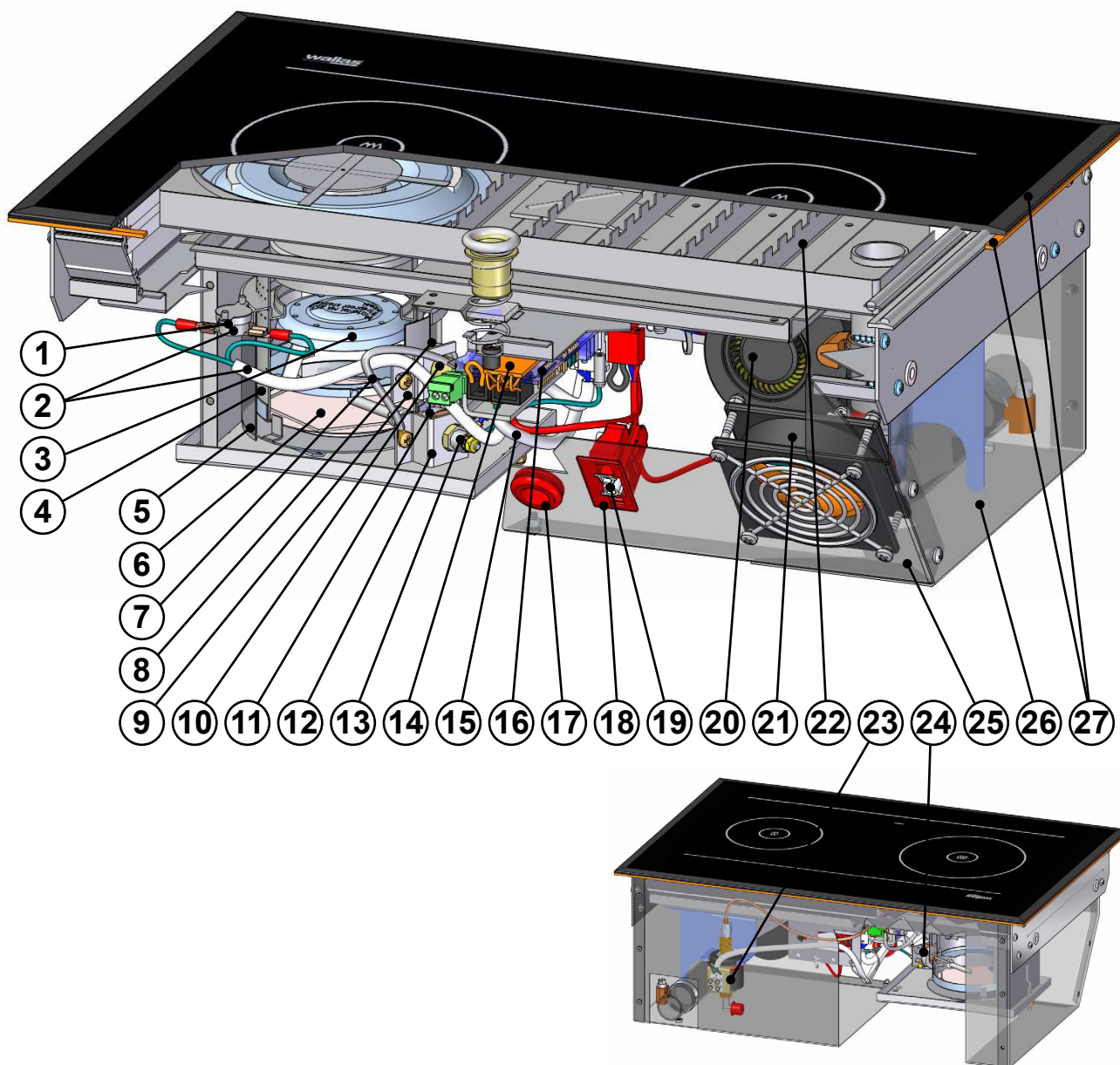
	spare part no
① OVERHEAT THERMOSTAT	362417
③ MAIN BLOWER MOTOR	365111
⑤ OUTER CYLINDER FOR BURNER	369028
⑦ RADIATION ELEMENT	369007
⑨ GASKET FOR GLOW PLUG	364130
⑪ THERMO ELEMENT	362601
⑬ COMBUSTION BLOWER	365315
⑮ FUSE 5 A, SLOW	362113
⑰ FUEL PUMP, FC 7	367506
⑲ CONTROL PANEL WITH CABLE DI-HEATERS	361062

	spare part no
② HEAT EXCHANGER	368609
④ COMPLETE MAIN BLOWER	365411
⑥ BOTTOM MAT, Ø 85 MM	364037
⑧ GASKET FOR T4 THERMO ELEMENT	364015
⑩ GLOW PLUG	362502
⑫ FUEL PIPE	367306
⑭ CONTROL UNIT	361068
⑯ FUSE 15 A	362110
⑱ BURNER CYLINDER, COMPLETE	369025
○	



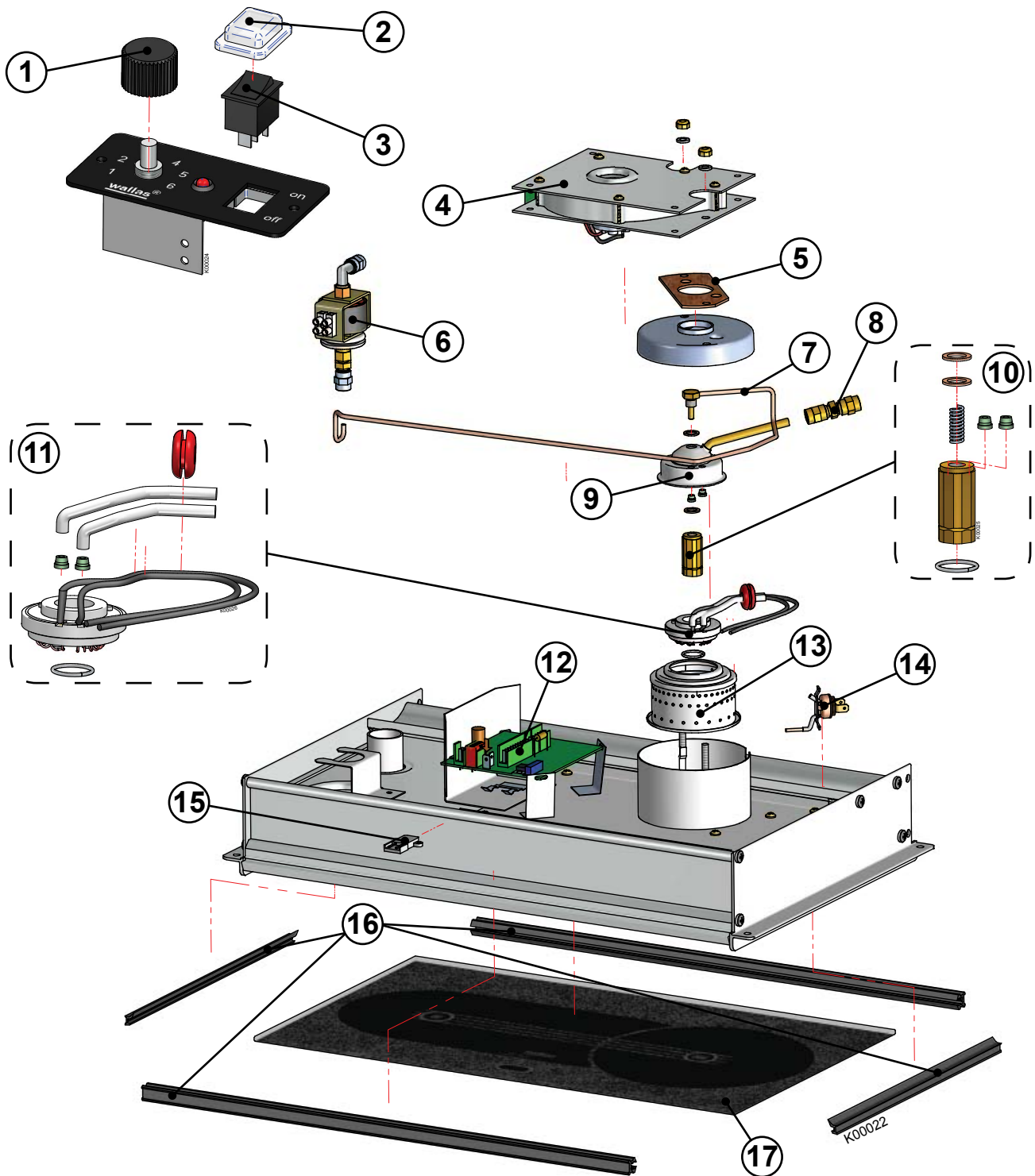
	spare part no
① FUEL PUMP, FC 1	367501
③ CONTROL UNIT, XP350	361064
⑤ THERMO ELEMENT	362601
⑦ GASKET FOR T4 THERMO ELEMENT	364015
⑨ OVERHEAT THERMOSTAT	362415
⑪ BURNER CYLINDER COMPLETE	369024
⑬ FUEL PIPE	367306
⑮ FUSE 15 A	362110
○	

	spare part no
② COMBUSTION BLOWER	365312
④ HOT PLATE INDICATOR LED	361020
⑥ GLOW PLUG	362502
⑧ RADIATION ELEMENT	369007
⑩ BOTTOM MAT, Ø 85 MM	364023
⑫ GASKET FOR GLOW PLUG	364110
⑭ FUSE 5 A	362108
○	
○	



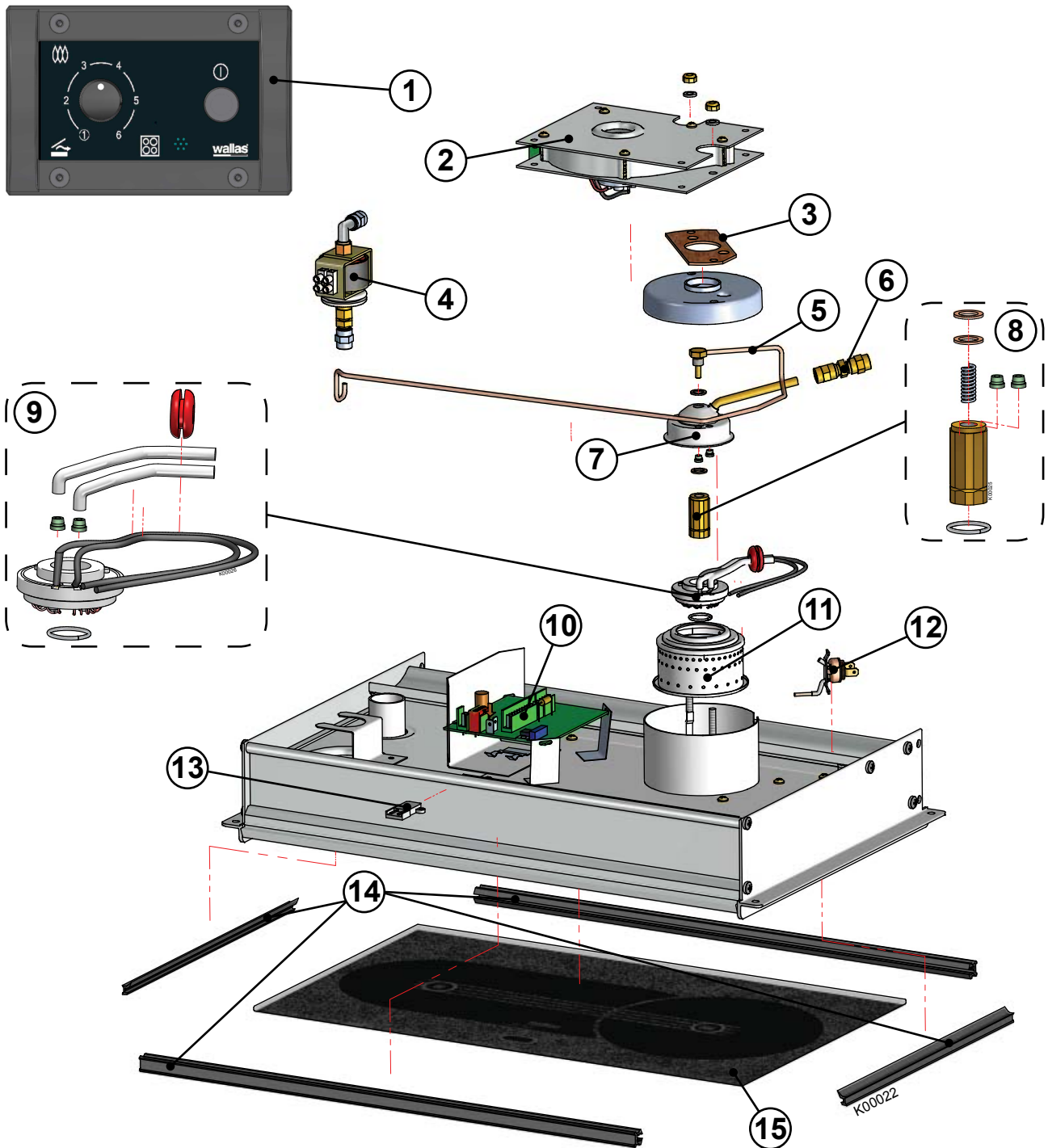
	spare part no
① OVERHEAT THERMOSTAT	362415
③ RADIATION ELEMENT	369007
⑤ OUTER CYLINDER FOR BURNER	369011
⑦ GROUNDING WIRE SET	363005
⑨ FASTENING PLATE FOR T4 THERMOELEMENT	
⑪ GASKET FOR GLOW PLUG	364110
⑬ GLOW PLUG	362502
⑮ WIRE SET FOR GLOW PLUG	363052
⑰ RUBBER BUSHING	
⑲ POWER CONNECTOR, FEMALE	362304
⑳ INTERMEDIATE BLOWER	365110
㉓ FUEL PUMP, FC1	367501
㉕ FRONT PLATE FOR VENTILATION BOX	
㉗ CERAMIC PLATE WITH GASKET	368607
○	

	spare part no
② OVERHEAT. THERMOST. COMPLETE	362414
④ BURNER CYLINDER COMPLETE	369024
⑥ BOTTOM MAT, Ø 85 mm	364023
⑧ GASKET FOR T4 THERMOELEMENT	364015
⑩ T4 THERMOELEMENT + GASKET	362601
⑫ FASTENING PLATE FOR GLOW PLUG	
⑭ HOT PLATE INDICATOR LED	361020
⑯ CONTROL UNIT	361039
⑰ POWER CONNECTOR, SUPPORT PLATE	362307
⑳ COMBUSTION BLOWER	365312
㉒ HEAT EXCHANGER	
㉔ FUEL PIPE	367306
㉖ VENTILATION BOX	
○	
○	



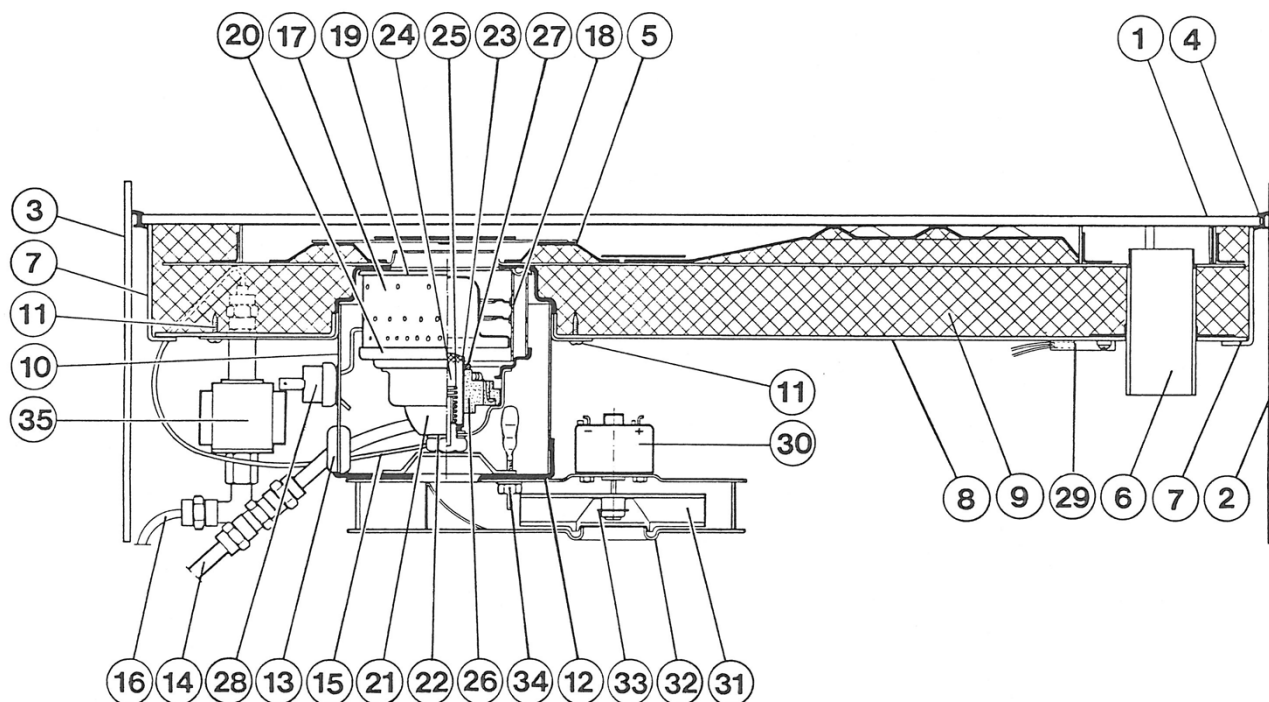
	spare part no
①	EFFECT REGULATION KNOB 362132
③	SWITCH 362203
⑤	CORK GASKET PLATE 364004
⑦	FUEL FEED. PIPE 367315
⑨	BURNER BOTTOM POT 369021
⑪	GLOW PRIMER 362503
⑬	BURNER CYLINDER 369019
⑮	OVERHEAT THERMOSTAT 120 °C 362406
⑰	CERAMIC PLATE (255 x 435) 368602

	spare part no
②	SILICON COVER FOR SWITCH 362206
④	COMBUSTION BLOWER 365310
⑥	FUEL PUMP, FC 1 367501
⑧	EXTENSION CONNECTOR, 6 MM 367107
⑩	FUEL VAPORIZER 367003
⑫	CONTROL UNIT 361017
⑭	AFTERCOOLING THERMOSTAT 80 °C 362401
⑯	GASKET SET FOR CERAMIC PLATES 364026
○	



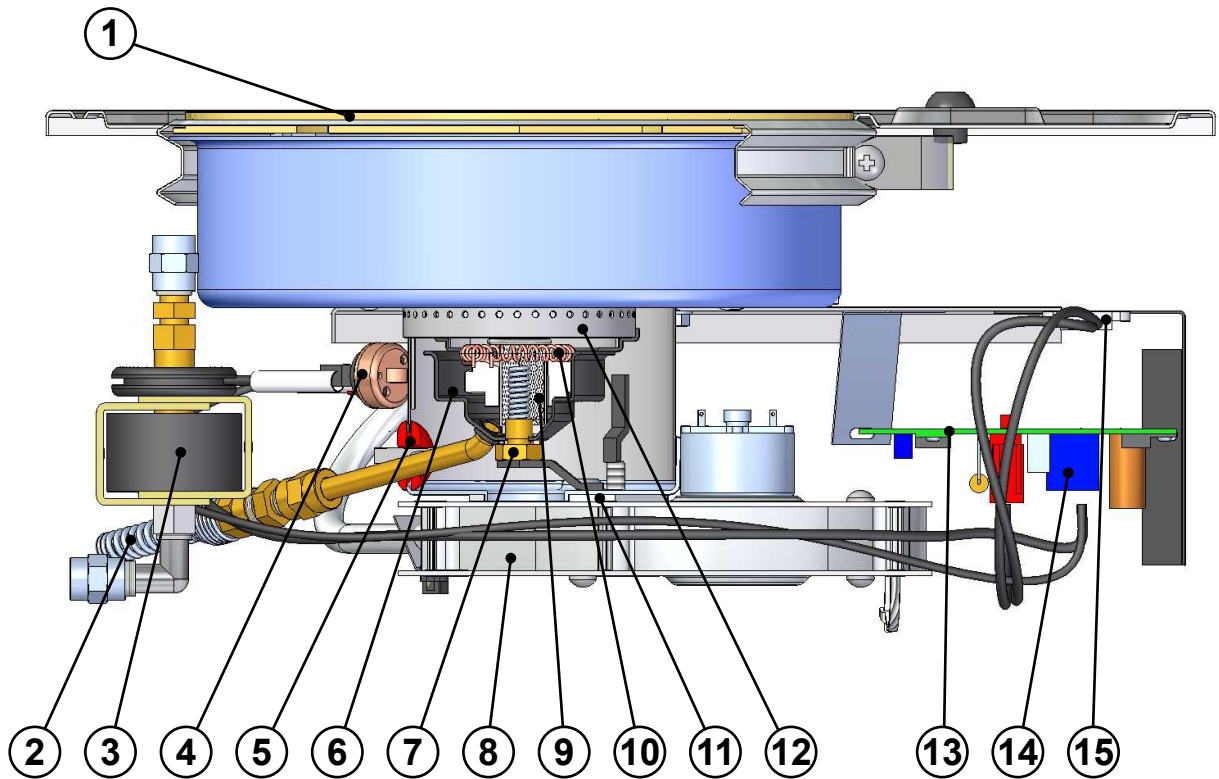
	spare part no
①	CONTROL PANEL, 90 t 361065
③	CORK GASKET PLATE 364004
⑤	FUEL FEED. PIPE 367315
⑦	BURNER BOTTOM POT 369021
⑨	GLOW PRIMER 362503
⑪	BURNER CYLINDER 369019
⑬	OVERHEAT THERMOSTAT 120 °C 362406
⑮	CERAMIC PLATE (255 x 435) 368602
○	

	spare part no
②	COMBUSTION BLOWER 365310
④	FUEL PUMP, FC 1 367501
⑥	EXTENSION CONNECTOR, 6 MM 367107
⑧	FUEL VAPORIZER 367003
⑩	CONTROL UNIT 361017
⑫	AFTERCOOLING THERMOSTAT 80 °C 362401
⑭	GASKET SET FOR CERAMIC PLATES 364026
○	
○	



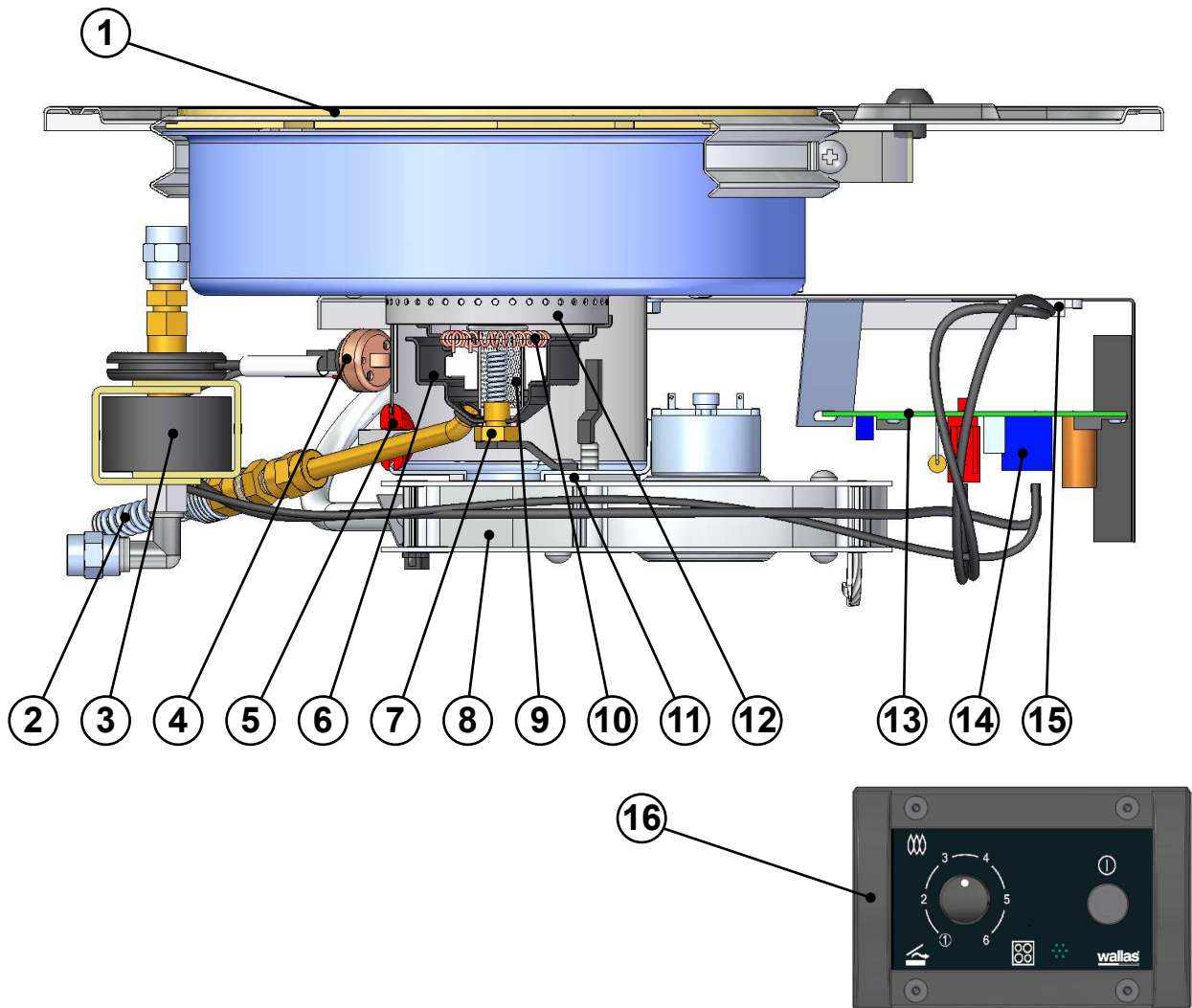
	spare part no
① CERAMIC HOT PLATE, 255x465 mm	368601
③ END PLATE LEFT	
⑤ GAS LEADER CASE	368502
⑦ CLOSING PLATE	
⑨ HEAT INSULATION	364033
⑪ BURNER ASSEMBLY SCREWS	
⑬ BUSHING	362503
⑮ FUEL FEEDING PIPE WITH CONNECTOR	367316
⑰ OUTSIDE HOLE CYLINDER	369019
⑲ BURNER FIXING FLANGE	369019
⑳ BURNER BOTTOM POT	369021
㉑ FUEL VAPORIZER	367003
㉓ SHIELD SPRING	367003
㉕ LOCKING RING	362503 367003
㉗ OVERHEATING LIMIT SWITCH	362406
㉙ COMBUSTION BLOWER ROTOR	365310
㉛ LOCKING RING	365310
㉝ FUEL PUMP	367501

	spare part no
② END PLATE RIGHT	
④ SILICON RUBBER GASKET BAND	364026
⑥ EXHAUST PIPE	
⑧ BOTTOM PLATE	368021
⑩ BURNER CASE HOUSE	
⑫ BURNER CASE BOTTOM LOCK	
⑭ FUEL RETURN PIPE	367214
⑯ FUEL TUBE TO PUMP	367211
⑰ INSIDE HOLE CYLINDER	369019
⑲ BURNER BOTTOM RING	369019
㉑ GASKET	367003
㉓ WICK SET	367003
㉕ GLOW PRIMER	362503
㉗ AFTERCOOLING THERMOSTAT	362401
㉙ COMBUSTION BLOWER MOTOR	365310
㉛ COMBUSTION BLOWER HOUSING	365310
㉝ BURNER AND BLOWER CASE LOCKING NUT	
㉞	



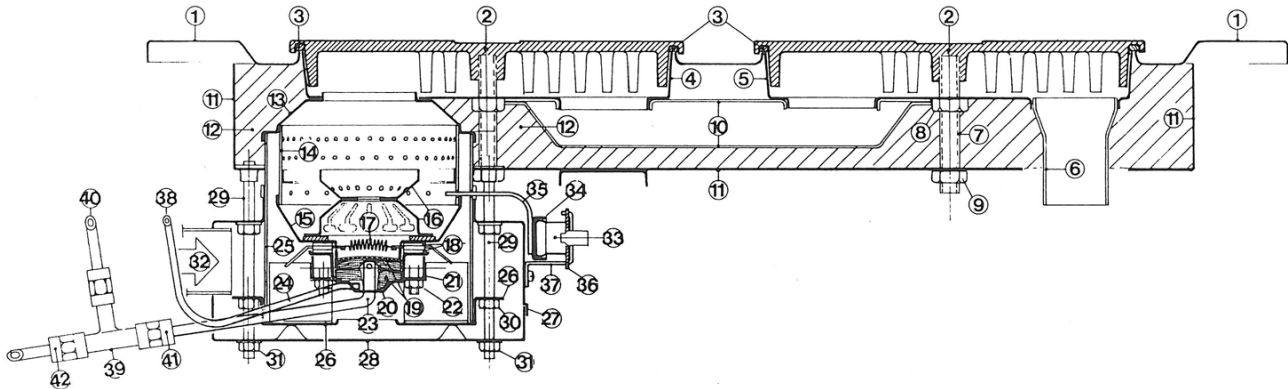
	spare part no
① HOTPLATE	368606
③ FUEL PUMP, FC1	367501
⑤ RUBBER BUSHING	364107
⑦ FUEL FEED. PIPE / CONNECTOR	367316
⑨ FUEL VAPORIZER	367003
⑪ CORK GASKET PLATE	364004
⑬ CONTROL UNIT	361017
⑮ OVERHEAT THERMOSTAT	362406

	spare part no
② SHIELD SPIRAL	367002
④ AFTERCOOLING THERMOSTAT	362401
⑥ BURNER BOTTOM POT	369021
⑧ COMBUSTION BLOWER	365311
⑩ GLOW PRIMER	362503
⑫ BURNER CYLINDER	369019
⑭ RELAY, GLOW	362804
○	



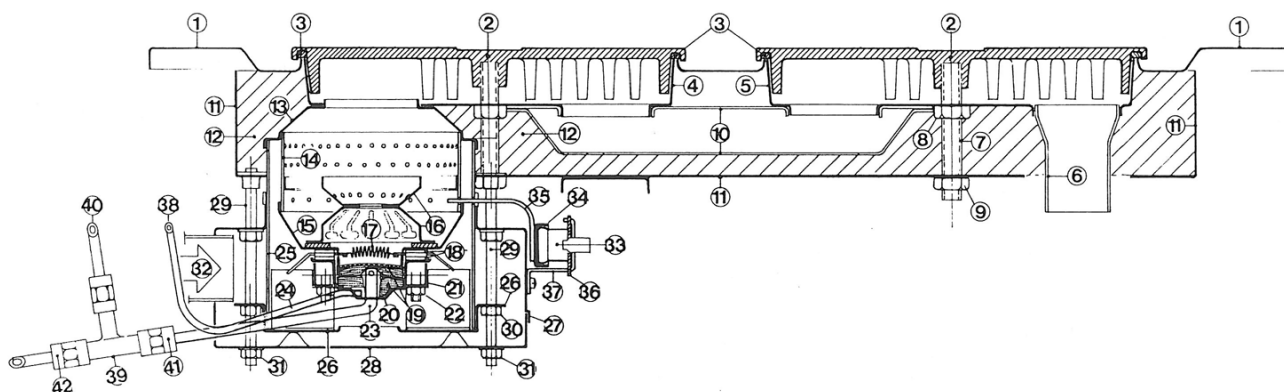
	spare part no
① HOTPLATE	368606
③ FUEL PUMP, FC1	367501
⑤ RUBBER BUSHING	364107
⑦ FUEL FEED. PIPE / CONNECTOR	367316
⑨ FUEL VAPORIZER	367003
⑪ CORK GASKET PLATE	364004
⑬ CONTROL UNIT	361017
⑮ OVERHEAT THERMOSTAT	362406

	spare part no
② SHIELD SPIRAL	367002
④ AFTERCOOLING THERMOSTAT	362401
⑥ BURNER BOTTOM POT	369021
⑧ COMBUSTION BLOWER	365311
⑩ GLOW PRIMER	362503
⑫ BURNER CYLINDER	369019
⑭ RELAY, GLOW	362804
⑯ CONTROL PANEL, 800 t	361067



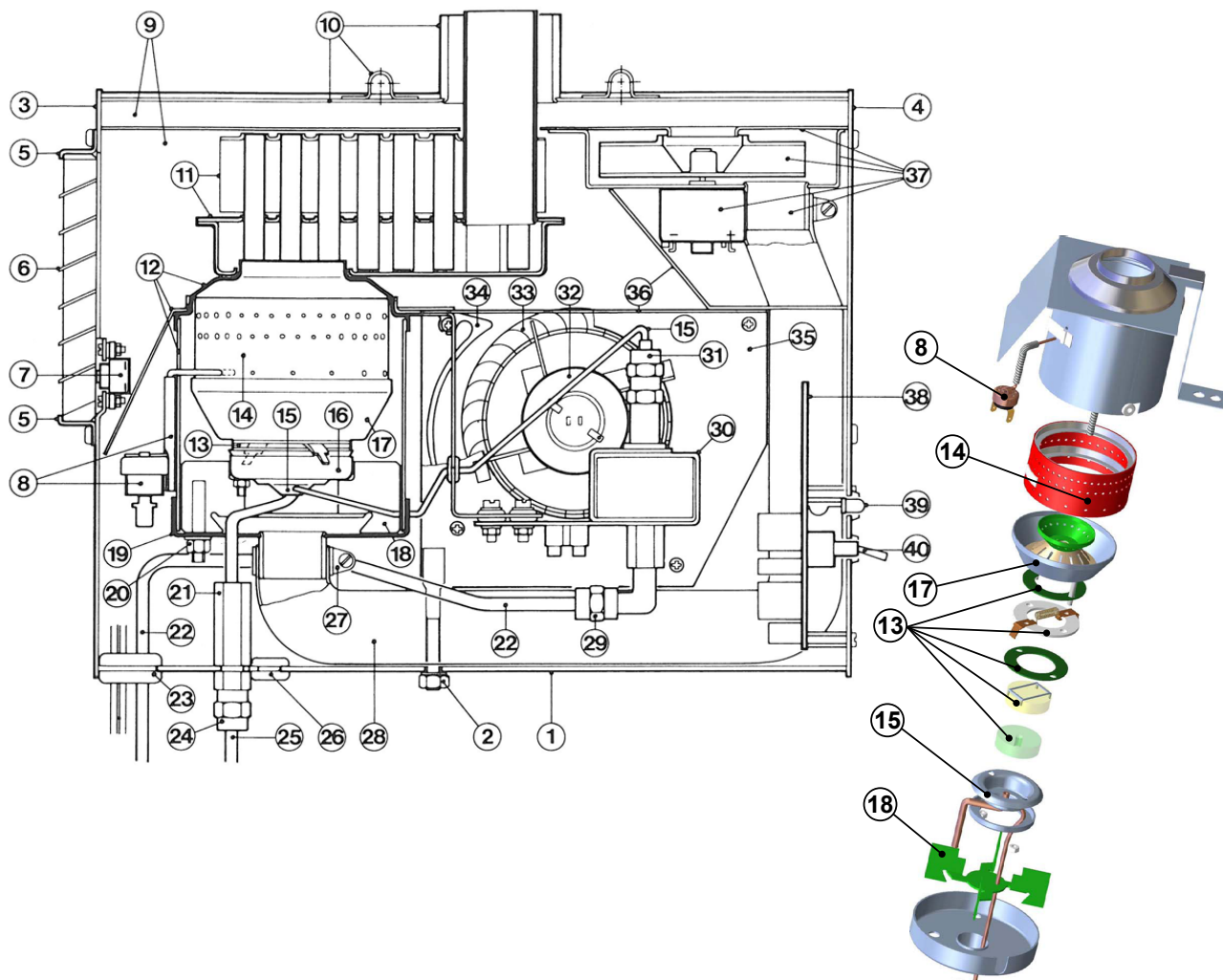
	spare part no
① TOP PLATE 540X390, STAINLESS	368010
③ HEAT INSULATION CORD, 2x5 mm	364031
⑤ BOTTOM LOCK FOR SECOND HOT PLATE	368004
⑦ HOT PLATE CENTER BOLTS, M8x53 mm	368002
⑨ NUT M8	368002
⑪ HEAT INSULATION HOUSE PLATE	368014
⑬ UPPER BURNER CONNECTOR FLANGE	368003
⑮ BURNER BOTTOM	369002
⑰ GLOW PRIMER	360100
⑲ WICK SET	360100
⑳ WICKPOT HOLDER	
㉓ FUEL RETURN TUBE, Ø 5/3 mm, Cu	367301
㉕ BURNER OUTER CYLINDER	
㉗ COMBUSTION AIR CONNECTION CASE, ALUMINIUM	
㉙ BURNER ASSEMBLY MAIN BOLTS, M5x85 mm	368046
㉛ NUTS M5	
㉝ AFTERCOOLING & SIGNAL THERMOSTAT T1	362402
㉞ COPPER HEAT CONDUCTOR FOR T1	362403
㉟ THERMOSTAT HOLDER BRACKET	
㊱ RETURN FUEL T-CONNECTOR	367109
㊳ FUEL TUBE CONNECTION NUTS FOR Ø 5 mm TUBES	

	spare part no
② HOT PLATE, CAST IRON, Ø 165 mm	368605
④ BOTTOM LOCK FOR FIRST HOT PLATE	368003
⑥ EXHAUST PIPE, Ø 28 mm	368004
⑧ NUT M8	368002
⑩ GAS LEADER CASE	368012
⑫ HEAT INSULATION	364027
⑭ BURNER HOLE CYLINDER	369004
⑯ FLAME SPREADER	369002
⑰ GLOW PRIMER GASKETS (1 mm)	360100
⑲ WICKPOT	367301
㉒ HOLDER NUT FOR WICKPOT	
㉔ FUEL FEEDING TUBE TO BURNER, Ø 3/1.6 mm, Cu	367301
㉖ BURNER BOTTOM LOCK	369016
㉘ BOTTOM LOCK FOR CONNECTION CASE, ALUMINIUM	368020
㉚ NUTS M5	
㉜ COMBUSTION AIR INPUT CONNECTION	
㉞ COPPER HEAT CONDUCTOR FOR T1	362403
㉟ CONTACT INSULATOR FOR T1	364006
㊲ FUEL TUBE TO PUMP	
㊴ RETURN FUEL BREATHING OPENING	
㊶ FUEL TUBE CONNECTION NUTS FOR Ø 5 mm TUBES	



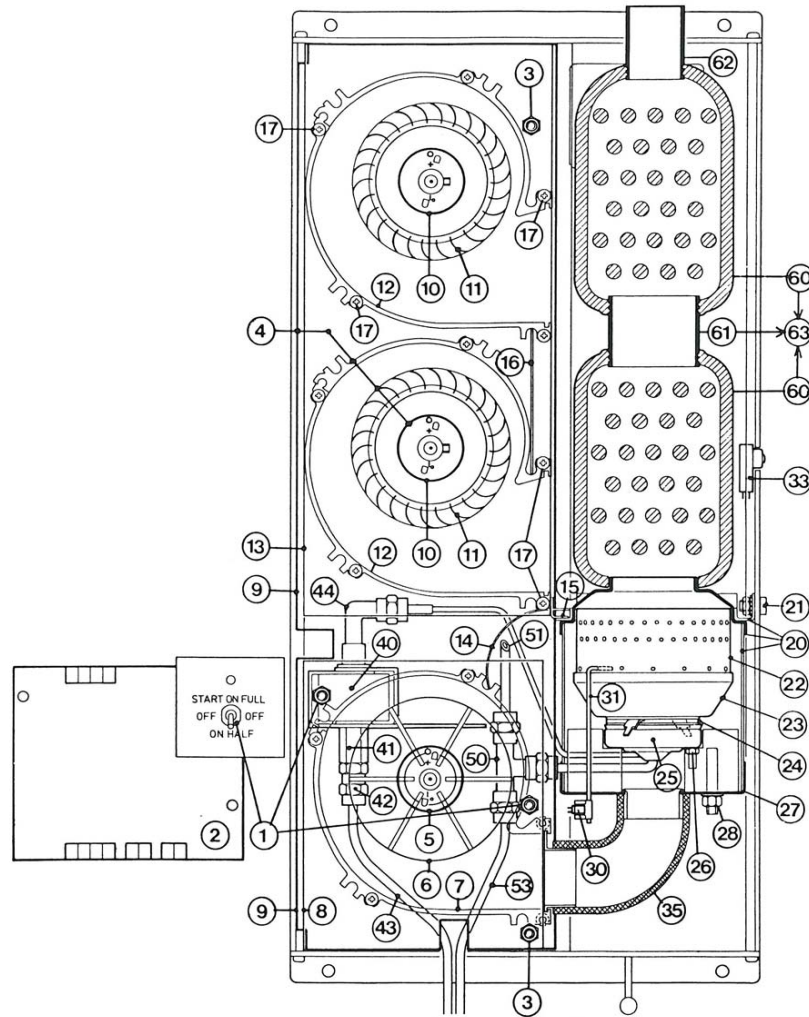
	spare part no
① TOP PLATE 480X320, STAINLESS	368032
③ HEAT INSULATION CORD, 2x5 mm	364031
⑤ BOTTOM LOCK FOR SECOND HOT PLATE	368004
⑦ HOT PLATE CENTER BOLTS, M8x53 mm	368002
⑨ NUT M8	368002
⑪ HEAT INSULATION HOUSE PLATE	368047
⑬ UPPER BURNER CONNECTOR FLANGE	368003
⑮ BURNER BOTTOM	369002
⑰ GLOW PRIMER	360100
⑲ WICK SET	360100
⑳ WICKPOT HOLDER	
㉓ FUEL RETURN TUBE, Ø 5/3 mm, Cu	367302
㉕ BURNER OUTER CYLINDER	
㉗ COMBUSTION AIR CONNECTION CASE, ALUMINIUM	
㉙ BURNER ASSEMBLY MAIN BOLTS, M5x85 mm	368046
㉛ NUTS M5	
㉝ AFTERCOOLING & SIGNAL THERMOSTAT T1	362402
㉞ COPPER HEAT CONDUCTOR FOR T1	362403
㉟ THERMOSTAT HOLDER BRACKET	
㊱ RETURN FUEL T-CONNECTOR	367109
㊳ FUEL TUBE CONNECTION NUTS FOR Ø 5 mm TUBES	

	spare part no
② HOT PLATE, CAST IRON, Ø 165 mm	368605
④ BOTTOM LOCK FOR FIRST HOT PLATE	368003
⑥ EXHAUST PIPE, Ø 28 mm	368004
⑧ NUT M8	368002
⑩ GAS LEADER CASE	368012
⑫ HEAT INSULATION	364027
⑭ BURNER HOLE CYLINDER	369004
⑯ FLAME SPREADER	369002
⑰ GLOW PRIMER GASKETS (1 mm)	360100
⑲ WICKPOT	367302
㉒ HOLDER NUT FOR WICKPOT	
㉔ FUEL FEEDING TUBE TO BURNER, Ø 3/1.6 mm, Cu	367302
㉖ BURNER BOTTOM LOCK	369016
㉘ BOTTOM LOCK FOR CONNECTION CASE, ALUMINIUM	368020
㉚ NUTS M5	
㉜ COMBUSTION AIR INPUT CONNECTION	
㉞ COPPER HEAT CONDUCTOR FOR T1	362403
㉟ CONTACT INSULATOR FOR T1	364006
㊲ FUEL TUBE TO PUMP	
㊴ RETURN FUEL BREATHING OPENING	
㊶ FUEL TUBE CONNECTION NUTS FOR Ø 5 mm TUBES	



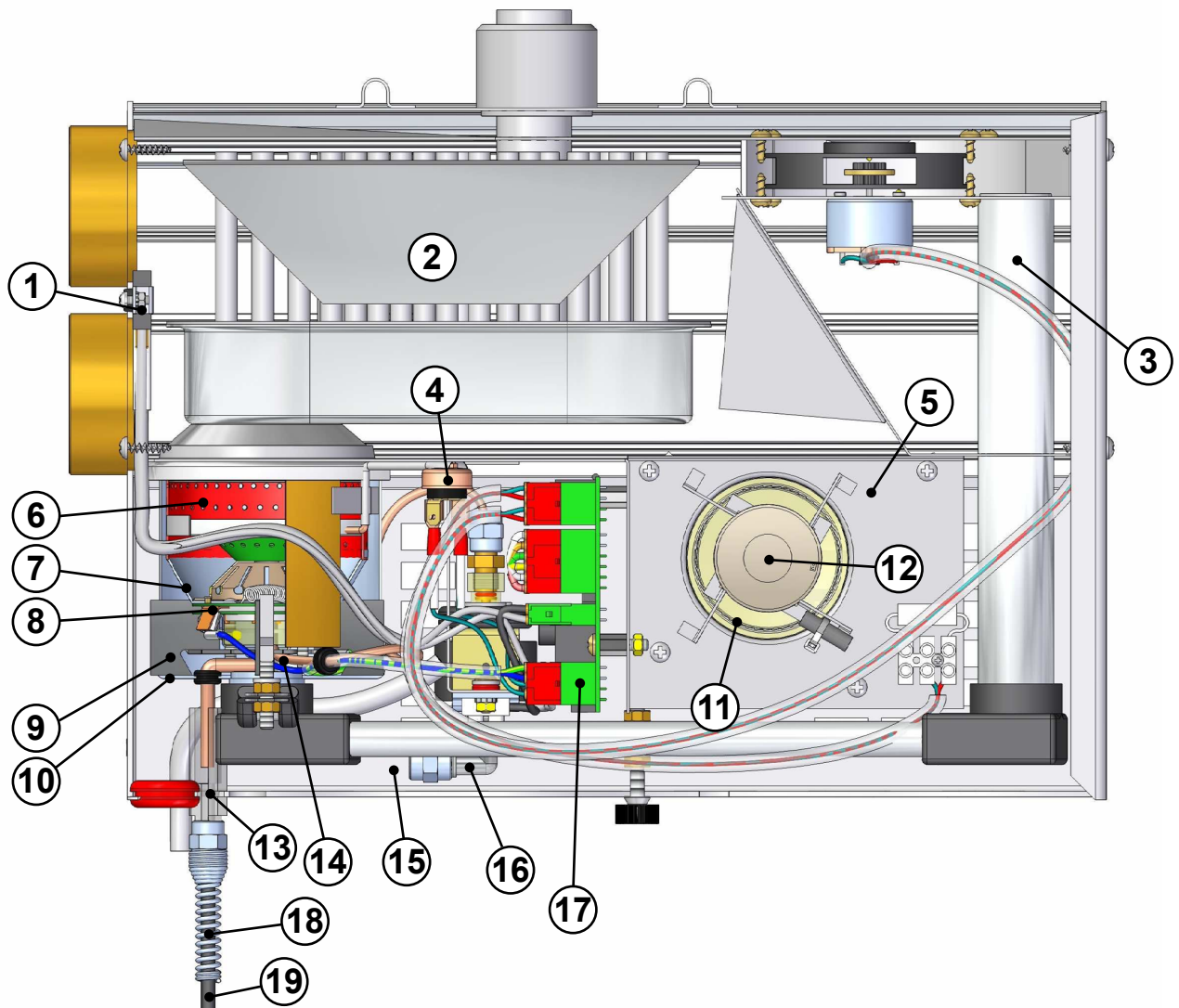
	spare part no
① BOTTOM PLATE	
③ OUTLET END PLATE	368030
⑤ WARM AIR OUTLET GRID HOLDER	
⑦ T3 OVERHEATING CUT-OUT SWITCH (SN → 21499) (SN 21500 →)	362404 362405
⑨ SIDE PROFILE	
⑪ HEAT EXCHANGER	368507
⑬ GLOW PRIMER WITH GASKETS	360100
⑮ WICKPOT	367305
⑰ BURNER BOTTOM	369002
⑲ BOTTOM LOCK FOR OUTER CYLINDER	
⑳ FUEL RETURN & VENT CUP CONNECTOR, COMPLETE	367114
㉓ RUBBER BUSHING FOR FUEL SUCTION TUBE	
㉕ FUEL RETURN TUBE, POLYAMID, BLACK	367212
㉗ HOSE CLAMP	
㉙ CONNECTOR NUT FOR FUEL PUMP	
㉛ CONNECTOR NUT FOR FUEL PUMP	
㉝ MAIN BLOWER ROTOR	365205
㉟ MAIN BLOWER LOCK PLATE	
㉿ COMBUSTION BLOWER MOTOR & ROTOR, CLOSED ASS.	365303
㊱ LED SIGNAL LAMP	

	spare part no
② NUT HOLDING BOTTOM PLATE	
④ BACK END PLATE	
⑥ WARM AIR OUTLET GRID (PLASTIC)	
⑧ T1 THERMISTOR WITH COPPER CONDUCTOR	362409
⑩ TOP PLATE WITH COMBUSTION AIR CONNECTION	
⑫ BURNER CONE WITH MOUNTING PLATE & OUTER CYL.	
⑭ BURNER CYLINDER (HOLE CYLINDER)	369004
⑯ WICKPOT HOLDER RING	
⑱ BURNER BOTTOM HOLDER (PROPELLER)	369001
㉒ NUT HOLDING OUTER CYLINDER BOTTOM	
㉔ FUEL SUCTION TUBE, POLYAMID, TRANSPARENT	367211
㉖ FUEL RETURN FITTING/TUBE CONNECTOR NUT	
㉘ FUEL RETURN FITTING RUBBER PROP	
㉚ ALUMINIUM TUBE FOR COMBUSTION AIR FEEDING	369006
㉜ FUEL PUMP, FC 4	367504
㉞ MAIN BLOWER MOTOR (SN 4223 →)	365104
㉠ MAIN BLOWER HOUSE PROFILE	
㉡ MAIN BLOWER BASE PLATE	
㉣ CONTROL UNIT	361011
㉤ TOGGLE SWITCH	362204



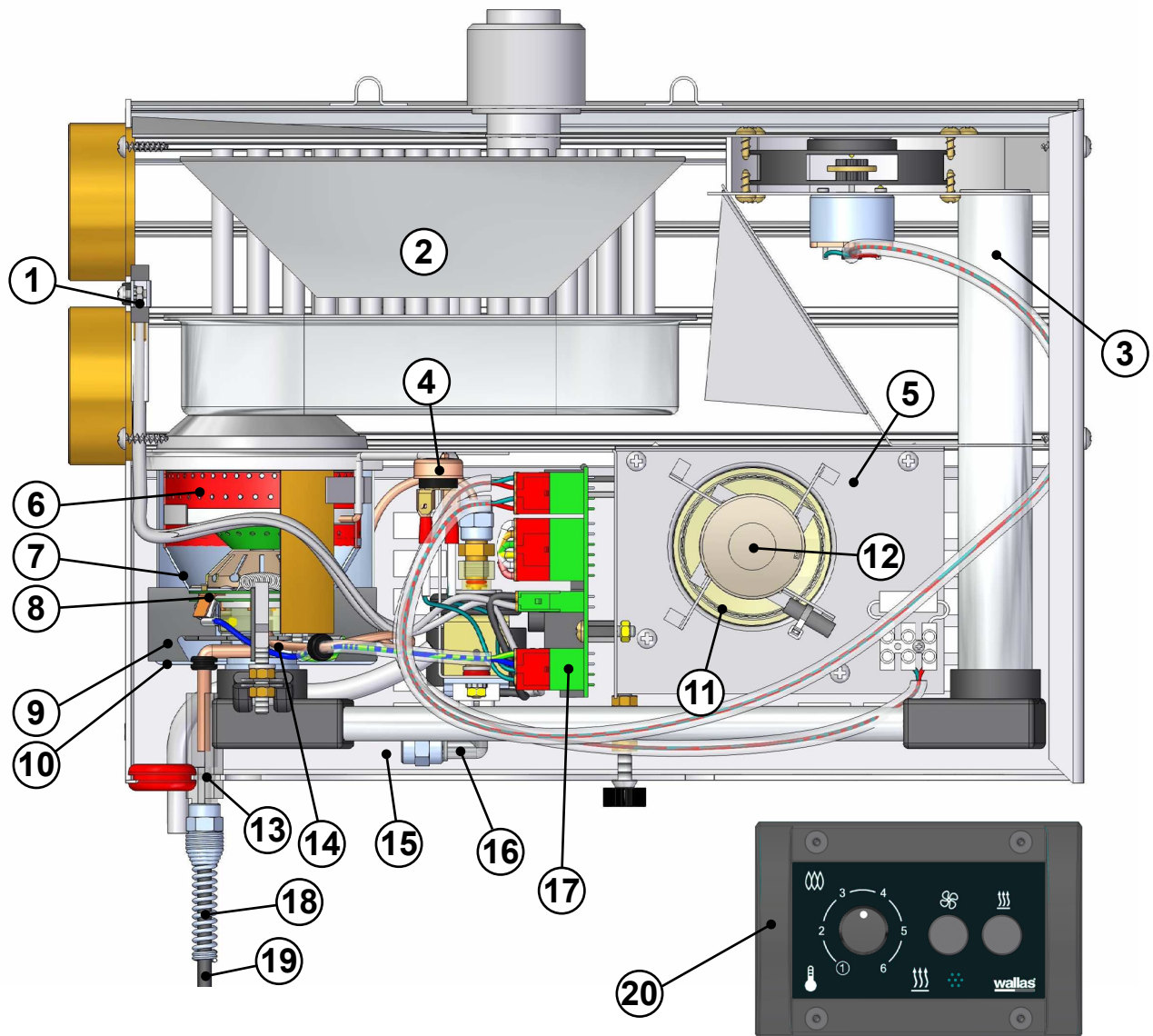
	spare part no
① NUTS HOLDING THE PRINTED CIRCUIT BOARD	
③ NUTS (M5) HOLDING THE WHOLE BLOWER UNIT BAR	
⑤ COMBUSTION BLOWER MOTOR	
⑦ COMBUSTION BLOWER HOUSE PROFILE	
⑨ BASE PLATE FOR COMBUSTION & MAIN BLOWERS	
⑪ MAIN BLOWER WHEELS	365204
⑬ MAIN BLOWER HOUSE DECK PLATE	
⑮ COVER PLATE	
⑰ SELF TAPPING SCREWS 3.5x5.5 mm	
⑲ SCREWS M5x8 HOLDING BURNER BASE PLATE	
⑳ BURNER BOTTOM	369002
㉕ WICKPOT	367303
㉗ BURNER BOTTOM LOCK	
㉚ AFTERCOOLING & SIGNAL THERMISTOR T1	
㉛ OVERHEATING LIMIT SWITCH T3	362404
㉜ FUEL PUMP	
㉞ SUCTION TUBE CONNECTION NUT - OLIVE INSIDE	
㉟ FUEL PUMP OUTLET CONNECTION	
㊱ RETURN BREATHING TUBE	
㊲ HEAT EXCHANGER, 5 mm ALUMINIUM	
㊳ EXHAUST OUTLET PIPE, Ø 28 mm, 1.5 mm	

	spare part no
㉑ CONTROL UNIT (sn. 101 → 1130)	361010
㉒ COMPLETE BLOWER BAR	
㉔ COMBUSTION BLOWER WHEEL	
㉘ COMBUSTION BLOWER HOUSE DECK PLATE	
㉙ MAIN BLOWER MOTORS	365102
㉚ MAIN BLOWER HOUSE PROFILE	
㉜ COVER PLATE	
㉞ COVER PLATE BETWEEN MAIN BLOWERS	
㉟ BURNER BASE PLATE WITH OUTER CYLINDER	
㊱ HOLE CYLINDER FOR BURNER	
㊲ GLOW PRIMER ELEMENT WITH GASKETS	360100
㊳ NUTS M4 HOLDING WICKPOT	
㊴ NUTS M5 HOLDING BOTTOM LOCK	
㊵ COPPER HEAT CONDUCTOR FOR THERMISTOR T1	
㊶ RUBBER CONNECTOR	
㊷ FUEL PUMP INLET CONNECTION - FINE FILTER INSIDE	
㊸ FUEL SUCTION TUBE, Ø 5/2 mm, TRANSPARENT	367211
㊹ FUEL RETURN T-CONNECTOR	367109
㊺ FUEL RETURN TUBE, Ø 5/3 mm, BLACK	367212
㊻ HEAT EXCHANGER, CONNECTOR 1.5 mm	
㊼ HEAT EXCHANGER, COMPLETE	



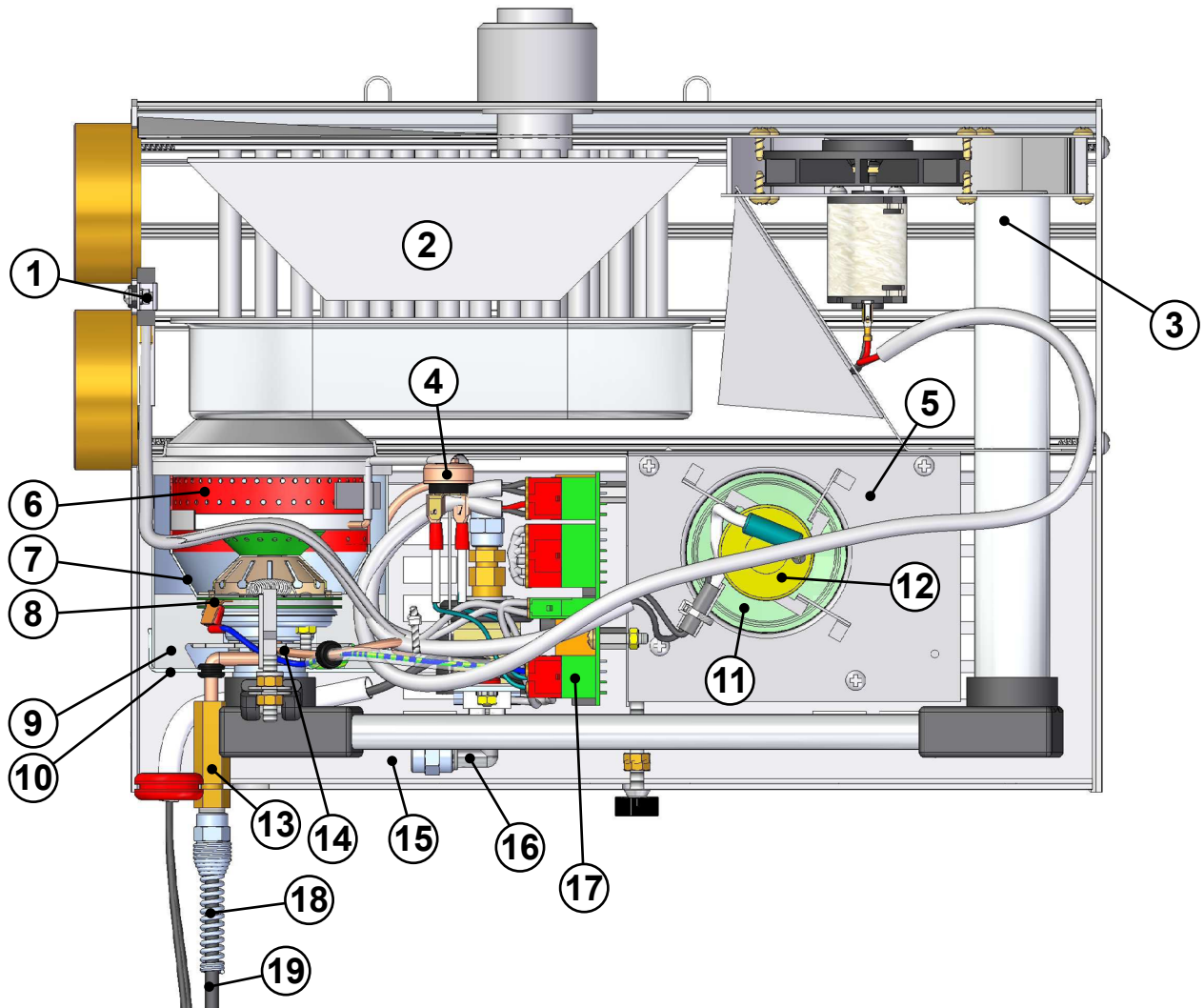
		spare part no
①	T3 OVERHEATING CUT-OUT SWITCH (SN → 24080)	362404
	(SN 24081 →)	362405
③	COMBUSTION BLOWER MOTOR & ROTOR ON MOUNT. PLATE	365304
⑤	COMPLETE MAIN BLOWER	365403
⑦	BURNER BOTTOM	369002
⑨	BURNER BOTTOM HOLDER (PROPELLER)	369001
⑪	MAIN BLOWER ROTOR (SN 8019 →)	365207
⑬	FUEL RETURN & VENT. CUP CONNECTOR (SN 2273 →)	367114
⑮	FUEL SUCTION TUBE	367211
⑰	CONTROL UNIT (SN 617 →)	361013
⑲	FUEL RETURN TUBE, POLYAMID, BLACK	367212
○		

		spare part no
②	HEAT EXCHANGER	368508
④	T1 THERMOSTAT WITH HEAT CONDUCTOR	362413
⑥	BURNER CYLINDER (HOLE CYLINDER)	369004
⑧	GLOW PRIMER WITH GASKETS	360100
⑩	BOTTOM LOCK FOR OUTER CYLINDER	369018
⑫	MAIN BLOWER MOTOR (SN → 8018)	365104
	(SN 8019 →)	365105
⑭	WICKPOT (SN → 2272)	367304
	(SN 2273 →)	367305
⑯	FUEL PUMP, FC 4	367504
⑱	SHIELD SPIRAL	367002
○		
○		



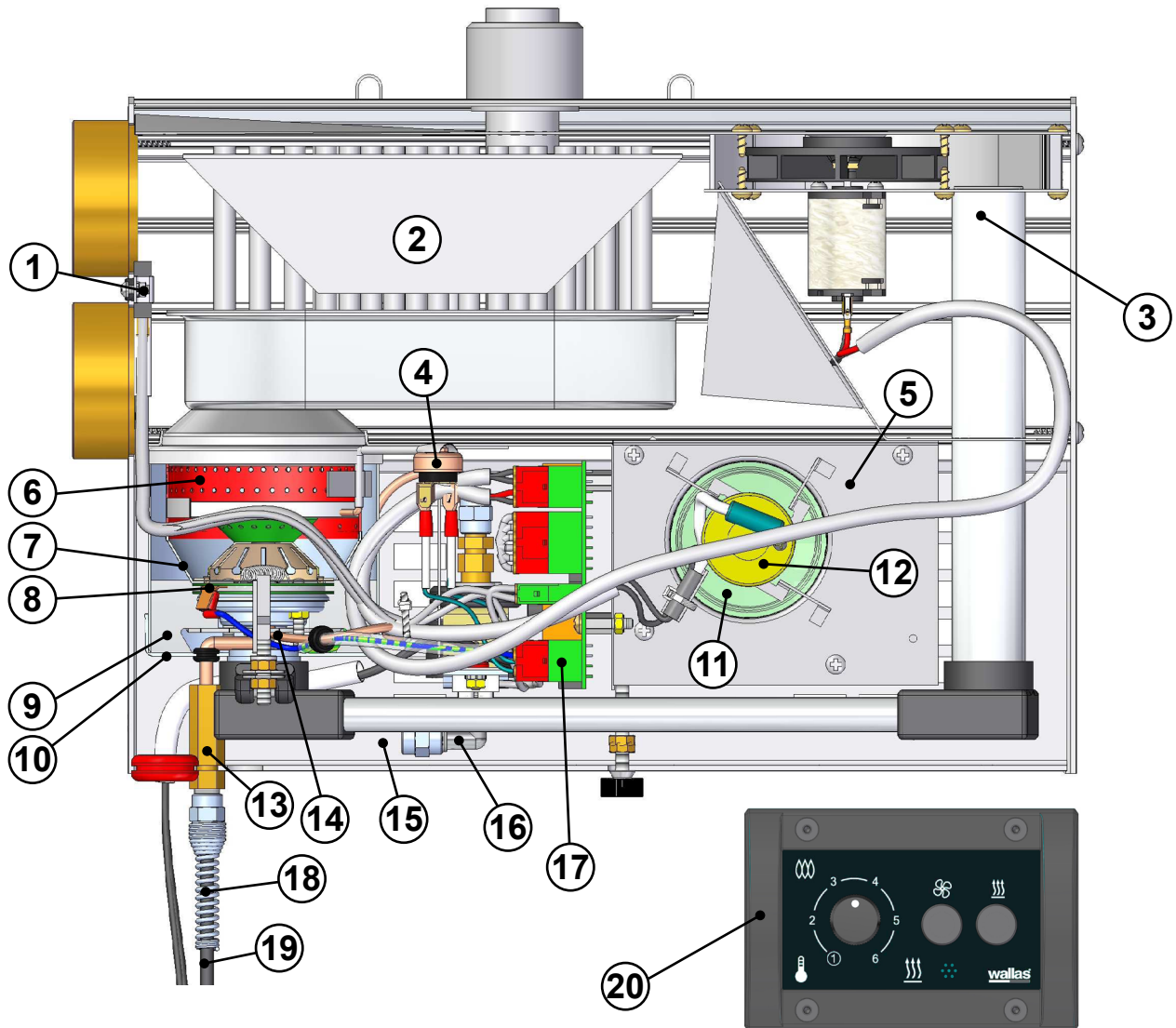
		spare part no
①	T3 OVERHEATING CUT-OUT SWITCH (SN → 24080)	362404
	(SN 24081 →)	362405
③	COMBUSTION BLOWER MOTOR & ROTOR ON MOUNT. PLATE	365304
⑤	COMPLETE MAIN BLOWER	365403
⑦	BURNER BOTTOM	369002
⑨	BURNER BOTTOM HOLDER (PROPELLER)	369001
⑪	MAIN BLOWER ROTOR (SN 8019 →)	365207
⑬	FUEL RETURN & VENT. CUP CONNECTOR (SN 2273 →)	367114
⑮	FUEL SUCTION TUBE	367211
⑰	CONTROL UNIT (SN 617 →)	361013
⑲	FUEL RETURN TUBE, POLYAMID, BLACK	367212
○		

		spare part no
②	HEAT EXCHANGER	368508
④	T1 THERMOSTAT WITH HEAT CONDUCTOR	362413
⑥	BURNER CYLINDER (HOLE CYLINDER)	369004
⑧	GLOW PRIMER WITH GASKETS	360100
⑩	BOTTOM LOCK FOR OUTER CYLINDER	369018
⑫	MAIN BLOWER MOTOR (SN → 8018)	365104
	(SN 8019 →)	365105
⑭	WICKPOT (SN → 2272)	367304
	(SN 2273 →)	367305
⑯	FUEL PUMP, FC 4	367504
⑱	SHIELD SPIRAL	367002
⑳	CONTROL PANEL, 1800/2400 t	361066
○		



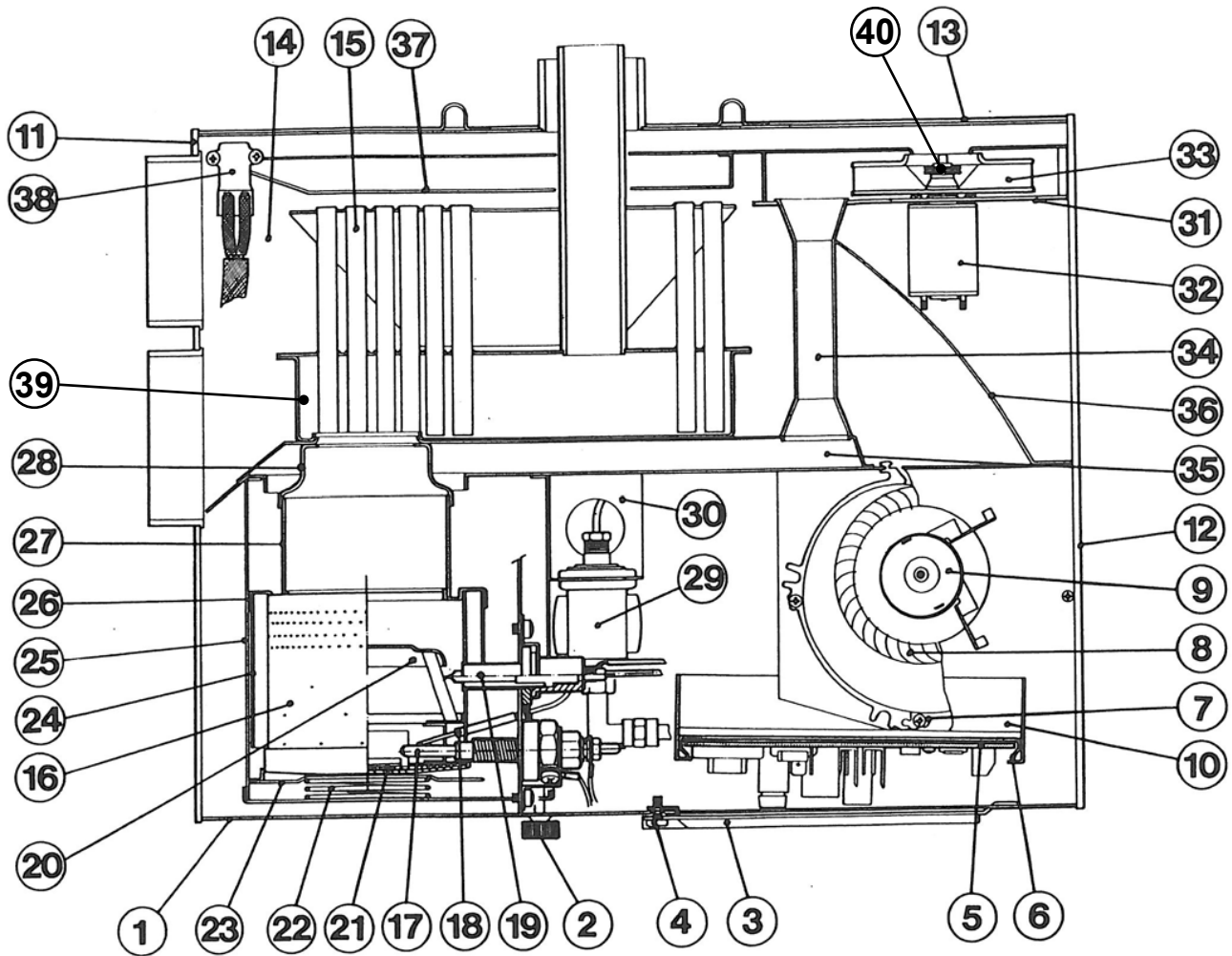
		spare part no
①	T3 OVERHEATING CUT-OUT SWITCH (SN → 24866)	362404
	(SN 24867 →)	362405
③	COMBUSTION BLOWER MOTOR & ROTOR ON MOUNT. PLATE (SN → 3634)	365304
	(SN 3635 →)	365305
⑤	COMPLETE MAIN BLOWER	365404
⑦	BURNER BOTTOM	369002
⑨	BURNER BOTTOM HOLDER (PROPELLER)	369001
⑪	MAIN BLOWER ROTOR (SN 8123 →)	365202
⑬	FUEL RETURN & VENT. CUP CONNECTOR (SN 3634 →)	367114
⑮	FUEL SUCTION TUBE	367211
⑰	CONTROL UNIT (SN 3635 →)	361012
⑱	FUEL RETURN TUBE, POLYAMID, BLACK	367212
○		

		spare part no
②	HEAT EXCHANGER	368508
④	T1 THERMOSTAT WITH HEAT CONDUCTOR	362413
⑥	BURNER CYLINDER (HOLE CYLINDER)	369004
⑧	GLOW PRIMER WITH GASKETS	360100
⑩	BOTTOM LOCK FOR OUTER CYLINDER	369018
⑫	MAIN BLOWER MOTOR (SN 8123 →)	365107
⑭	WICKPOT (SN → 3633)	367304
	(SN 3634 →)	367305
⑯	FUEL PUMP, FC 4	367504
⑱	SHIELD SPIRAL	367002
○		
○		



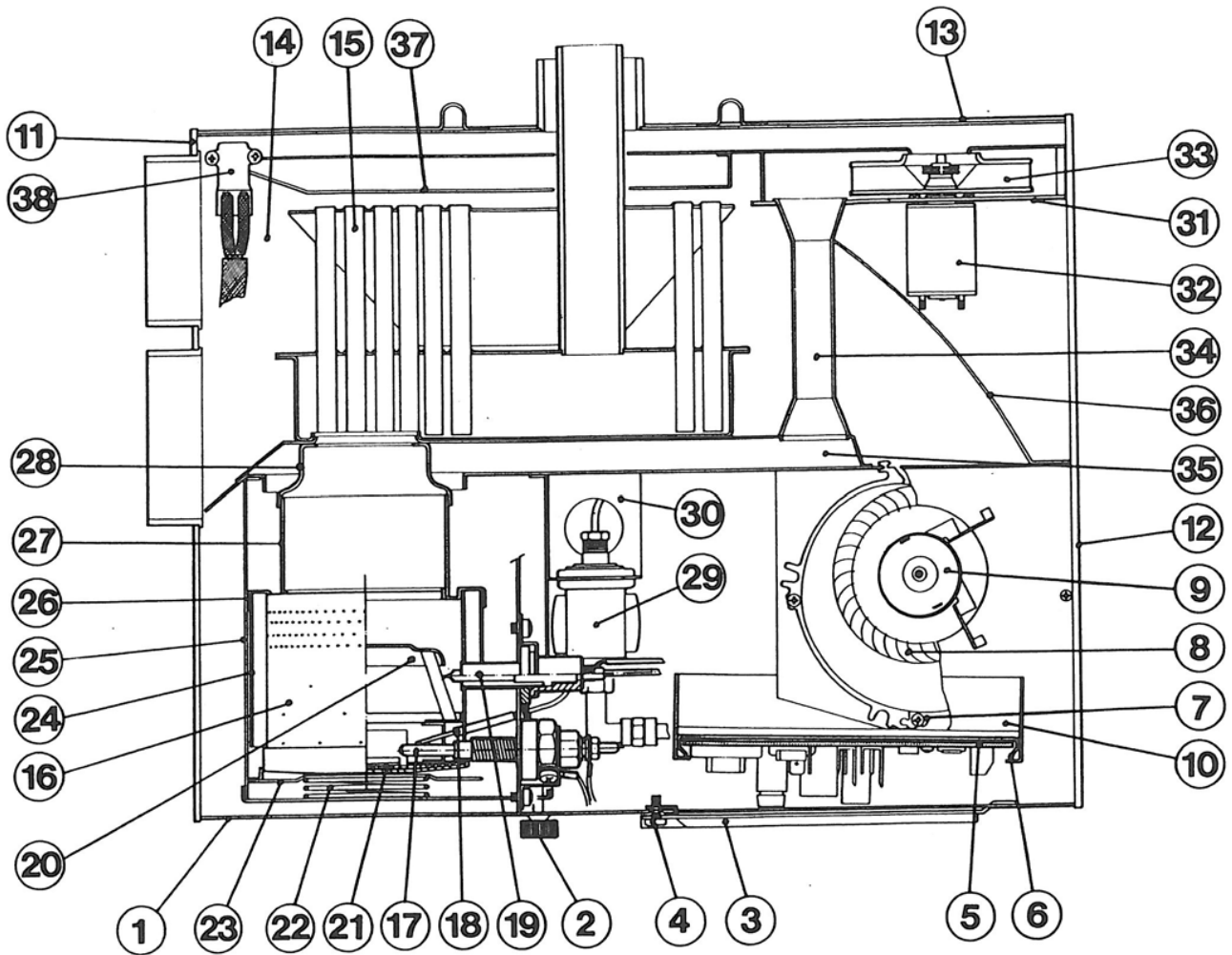
		spare part no
①	T3 OVERHEATING CUT-OUT SWITCH (SN → 24866)	362404
	(SN 24867 →)	362405
③	COMBUSTION BLOWER MOTOR & ROTOR ON MOUNT. PLATE (SN → 3634)	365304
	(SN 3635 →)	365305
⑤	COMPLETE MAIN BLOWER	365404
⑦	BURNER BOTTOM	369002
⑨	BURNER BOTTOM HOLDER (PROPELLER)	369001
⑪	MAIN BLOWER ROTOR (SN 8123 →)	365202
⑬	FUEL RETURN & VENT. CUP CONNECTOR (SN 3634 →)	367114
⑮	FUEL SUCTION TUBE	367211
⑰	CONTROL UNIT (SN 3635 →)	361012
⑰	FUEL RETURN TUBE, POLYAMID, BLACK	367212
○		

		spare part no
②	HEAT EXCHANGER	368508
④	T1 THERMOSTAT WITH HEAT CONDUCTOR	362413
⑥	BURNER CYLINDER (HOLE CYLINDER)	369004
⑧	GLOW PRIMER WITH GASKETS	360100
⑩	BOTTOM LOCK FOR OUTER CYLINDER	369018
⑫	MAIN BLOWER MOTOR (SN 8123 →)	365107
⑭	WICKPOT (SN → 3633)	367304
	(SN 3634 →)	367305
⑯	FUEL PUMP, FC 4	367504
⑱	SHIELD SPIRAL	367002
⑳	CONTROL PANEL, 1800/2400 t	361066
○		



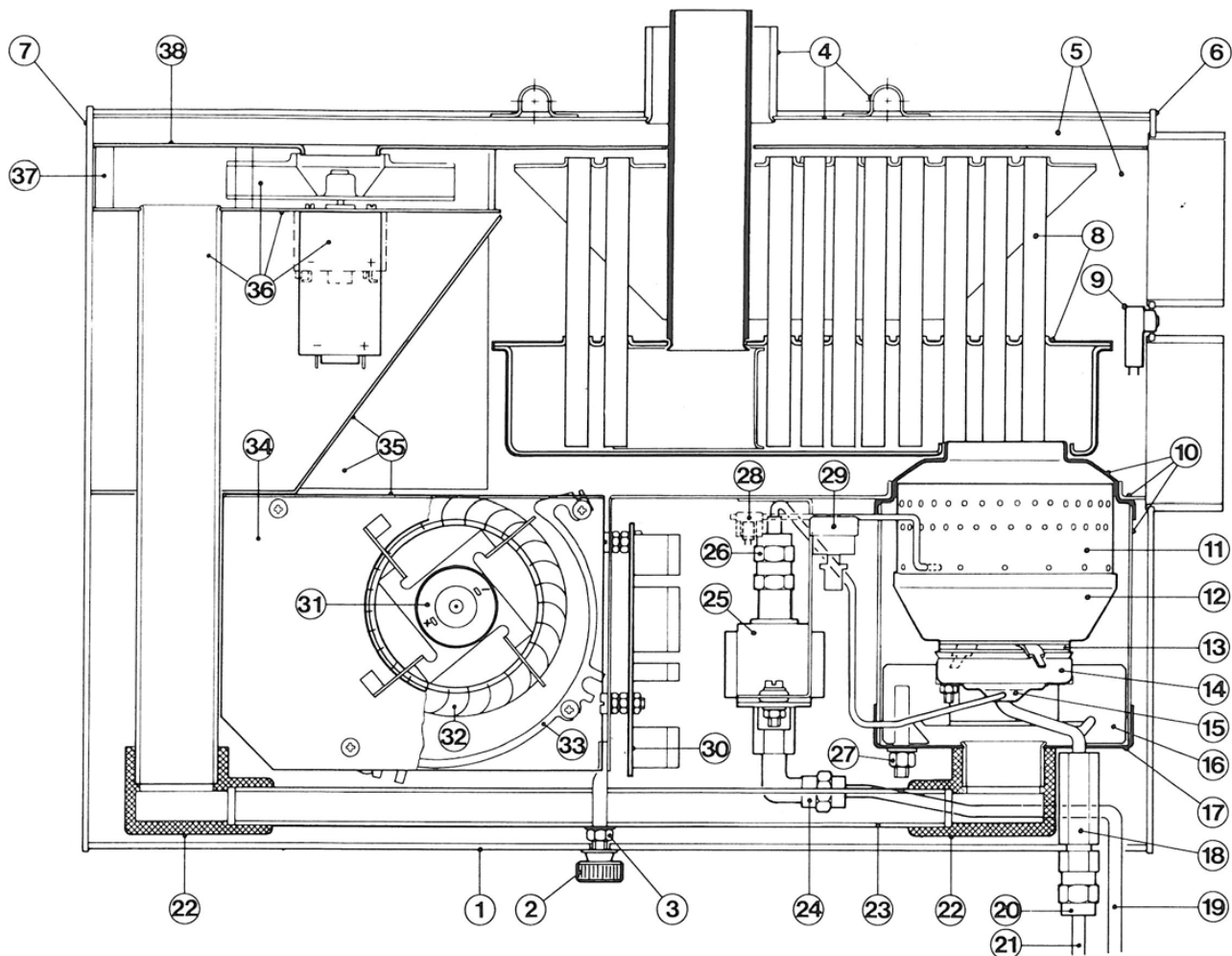
	spare part no
①	BOTTOM PLATE
③	CABLE HOLDER LOCK
⑤	CONTROL UNIT 361021
⑦	MAIN BLOWER / PROFILE
⑨	MAIN BLOWER / MOTOR 365107
⑪	OUTLET PLATE
⑬	TOP PLATE WITH COMBUSTION AIR CONNECTION
⑮	HEAT EXCHANGER 368505
⑰	GLOW PLUG 362502
⑲	THERMO ELEMENT T4 362601
⑳	BURNER / BOTTOM MAT 364023
㉑	BURNER / OUTER CYLINDER
㉒	BURNER / CONNECTION FLANGE
㉓	SOCKET CONNECTION
㉔	FUEL PUMP, FC3 367503
㉕	COMBUSTION BLOWER WITH CONNECTOR 34 365307
㉖	COMBUSTION BLOWER / ROTOR
㉗	COMBUSTION AIR PREHEATER CASE
㉘	AIR LEAD PLATE 2 / MAIN BLOWER
㉙	HEAT EXCHANGER WITH PREHEATER

	spare part no
②	NUT BOTTOM PLATE
④	LOCK SCREW
⑥	COVER FOR CONTROL UNIT 364011
⑧	MAIN BLOWER / ROTOR 365202
⑩	HOLDER FOR CONTROL UNIT & SIDE PL. FOR MAIN BL.
⑫	BACK PLATE
⑭	SIDE PROFILE (AL)
⑯	BURNER CYLINDER 369008
⑱	FUEL SUCTION TUBE 367309
㉑	BURNER / RADIATOR 369007
㉒	HOLDER SPIRAL / BURNER
㉓	BURNER / OUTER CYLINDER
㉔	BURNER / CONNECTION FLANGE
㉕	SOCKET CONNECTION
㉖	FUEL PUMP HOLDER
㉗	COMBUSTION BLOWER / MOTOR 365108
㉘	COMBUSTION AIR CONNECTION TUBE (WITH BLOWER 31) 365307
㉙	AIR LEAD PLATE 1 / MAIN BLOWER
㉚	OVERHEATING THERMOSTAT T3 362406
㉛	LOCK WASHER 2 PCS / COMBUSTION BLOWER ROTOR



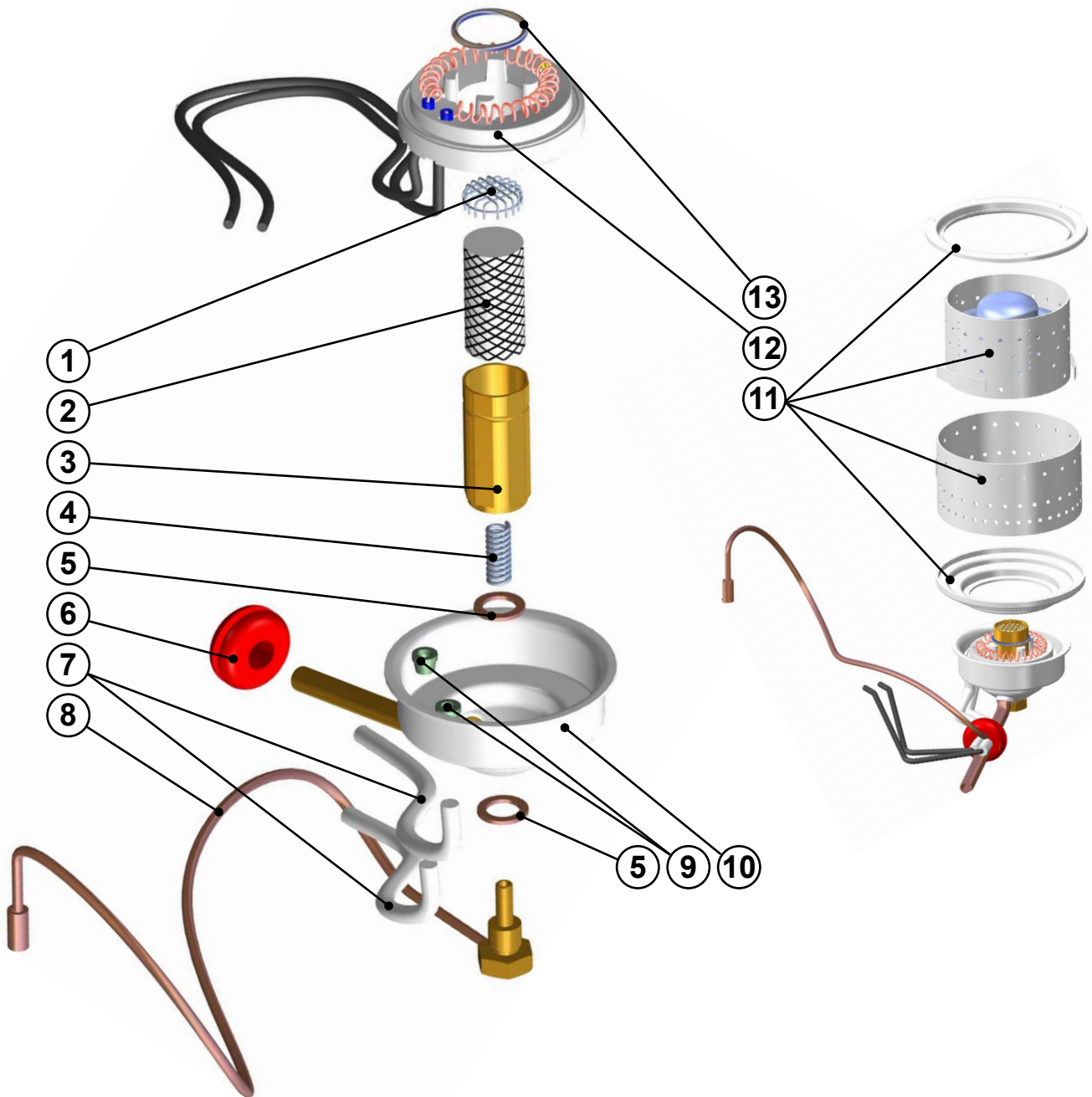
	spare part no
①	BOTTOM PLATE
③	CABLE HOLDER LOCK
⑤	CONTROL UNIT 361021
⑦	MAIN BLOWER / PROFILE
⑨	MAIN BLOWER / MOTOR 365107
⑪	OUTLET PLATE
⑬	TOP PLATE WITH COMBUSTION AIR CONNECTION
⑮	HEAT EXCHANGER 368505
⑰	GLOW PLUG 362502
⑲	THERMO ELEMENT T4 362601
⑳	BURNER / BOTTOM MAT 364023
㉑	BURNER / OUTER CYLINDER 369014
㉒	BURNER / CONNECTION FLANGE
㉓	SOCKET CONNECTION
㉔	FUEL PUMP, FC3 367503
㉕	COMBUSTION BLOWER WITH CONNECTOR 34 365307
㉖	COMBUSTION BLOWER / ROTOR
㉗	COMBUSTION AIR PREHEATER CASE
㉘	AIR LEAD PLATE 2 / MAIN BLOWER
○	

	spare part no
②	NUT BOTTOM PLATE
④	LOCK SCREW
⑥	COVER FOR CONTROL UNIT 364011
⑧	MAIN BLOWER / ROTOR 365202
⑩	HOLDER FOR CONTROL UNIT & SIDE PL. FOR MAIN BL.
⑫	BACK PLATE
⑭	SIDE PROFILE (AL)
⑯	BURNER CYLINDER 369008
⑰	FUEL SUCTION TUBE 367309
⑲	BURNER / RADIATOR 369007
㉑	HOLDER SPIRAL / BURNER
㉒	BURNER / OUTER CYLINDER
㉓	BURNER / CONNECTION FLANGE
㉔	SOCKET CONNECTION
㉕	FUEL PUMP HOLDER
㉖	COMBUSTION BLOWER / MOTOR 365108
㉗	COMBUSTION AIR CONNECTION TUBE (WITH BLOWER 31) 365307
㉘	AIR LEAD PLATE 1 / MAIN BLOWER
㉙	OVERHEATING THERMOSTAT T3 362406
○	



	spare part no
① BOTTOM PLATE	368005
③ NUT HOLDING AL. TUBE FOR COMB. AIR FEEDING	
⑤ SIDE PROFILE, ALUMINIUM	
⑦ BACK END PLATE	368007
⑨ T3 OVERHEATING CUT-OUT SWITCH (SN → 5057)	362404
(SN 5058 →)	362405
⑪ BURNER CYLINDER (HOLE CYLINDER)	369005
⑬ GLOW PRIMER WITH GASKETS	360100
⑮ WICKPOT	367305
⑰ BOTTOM LOCK FOR OUTER CYLINDER	369013
⑲ FUEL SUCTION TUBE	367211
⑲ FUEL RETURN TUBE	367211
⑲ FUEL RETURN TUBE, POLYAMID, BLACK	367212
⑲ AL. TUBE FOR COMB. AIR FEEDING	368009
⑲ FUEL PUMP, FC 4	367504
⑲ NUT HOLDING OUTER CYLINDER BOTTOM	
⑲ OR T1 THERMOSTAT WITH HEAT CONDUCTOR	362413
⑲ MAIN BLOWER MOTOR (SN 3510 →)	365107
⑲ MAIN BLOWER HOUSE PROFILE	
⑲ MAIN BLOWER BASE PLATE	
⑲ HOUSE PROFILE FOR COMBUSTION BLOWER	

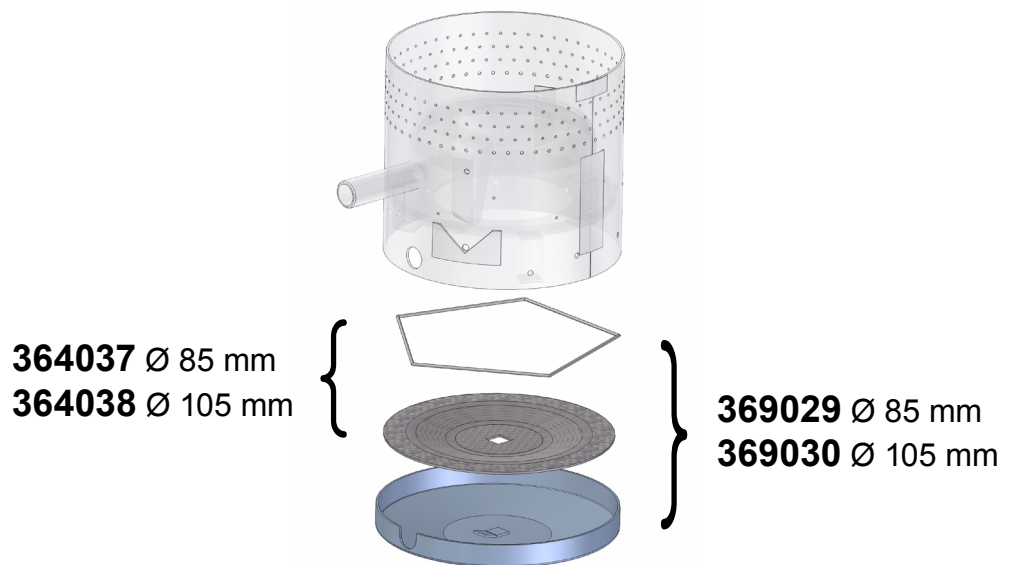
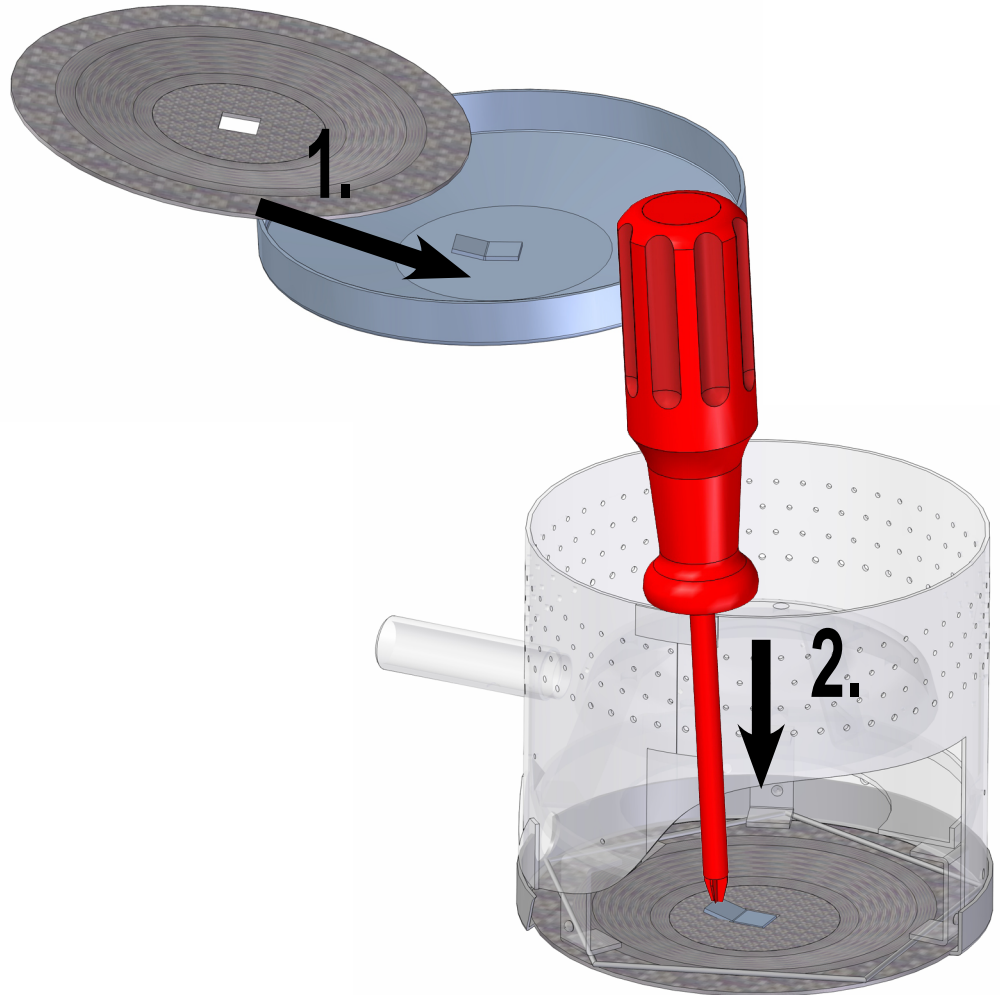
	spare part no
② NUT HOLDING BOTTOM PLATE	
④ TOP PLATE WITH COMBUSTION AIR CONNECTION	368028
⑥ OUTLET END PLATE	368008
⑧ HEAT EXCHANGER	368503
⑩ BURNER CONE & OUTER CYLINDER & MOUNTING PLATE	368013
⑫ BURNER BOTTOM	369003
⑭ WICKPOT HOLDER RING	
⑯ BURNER BOTTOM HOLDER (PROPELLER)	369001
⑯ FUEL RETURN & VENT. CUP CONNECTOR, COMPLETE	367114
⑯ CONNECTOR NUT FOR FUEL RETURN TUBE & OLIVE RING	
⑯ RUBBER CONNECTOR FOR COMB. AIR FEEDING	368009
⑯ CONNECTOR NUT FOR FUEL PUMP & OLIVE RING	
⑯ CONNECTOR NUT FOR FUEL FEEDING TUBE	
⑯ T1 THERMISTOR WITH COPPER CONDUCTOR	
⑯ CONTROL UNIT	361012
⑯ MAIN BLOWER ROTOR (SN 3510 →)	365202
⑯ MAIN BLOWER LOCK PLATE	
⑯ COMBUSTION BLOWER MOTOR & ROTOR ON MOUNT. PL.	365306
⑯ LOCK PLATE FOR COMBUSTION BLOWER	



	spare part no
① GRID	367003
③ FUEL VAPORIZER CYLINDER	367003
⑤ COPPER GASKET	367003
⑦ GLASS FIBER TUBE	362503
⑨ TEFLON INSULATORS FOR GLOW WIRES	362503 367003
⑪ BURNER	369019
⑬ LOCKING RING	362503 367003
⑮	
⑰	

	spare part no
② WICK SET	367003
④ SHIELD SPRING	367003
⑥ BUSHING	362503
⑧ FUEL FEEDING PIPE WITH CONNECTOR	
⑩ BURNER BOTTOM POT	369021
⑫ GLOW PRIMER	362503
⑭	
⑯	
⑰	

Installation instructions, bottom matt



Wallas-Marin Oy
Kärrykatu 4
20780 Kaarina Finland
www.wallas.com

We reserve the right to changes.